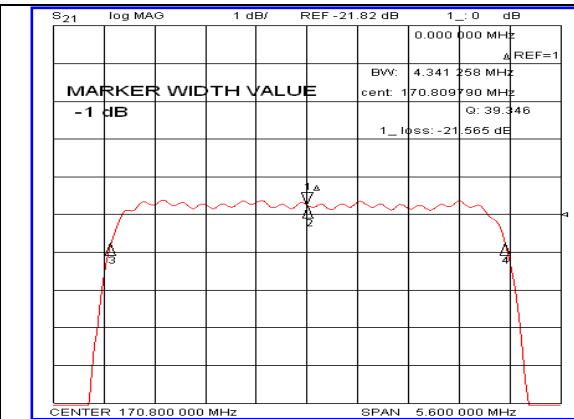
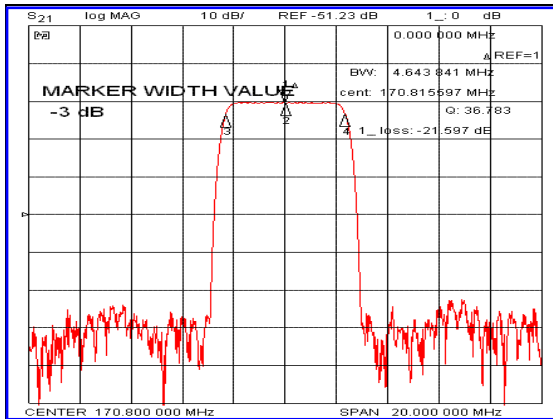


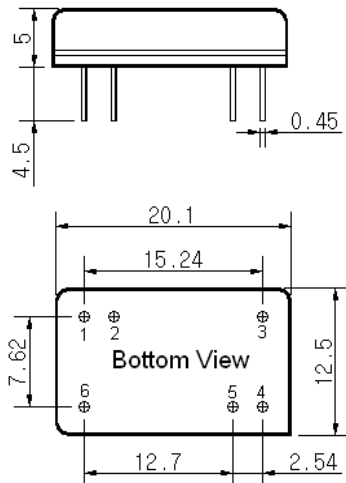
### Typical Performance



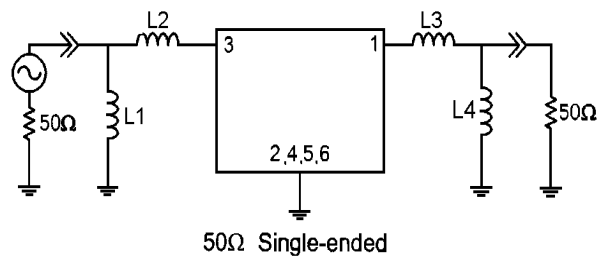
### Specification

Parameter	Unit	Min.	Typ.	Max.
Center Frequency	MHz	170.65	170.80	170.95
Insertion Loss	dB	-	21.60	23.50
1dB Bandwidth	MHz	-	4.34	-
3dB Bandwidth	MHz	4.50	4.64	-
40dB Bandwidth	MHz	-	5.70	5.90
Passband Ripple	dB	-	0.50	1.00
Group Delay Variation	nsec	-	100	200
Absolute Delay	µsec	-	2.29	-
Ultimate Attenuation	dB	50	53	-
Substrate Material	-	Quartz		
Temperature Coefficient	ppm/°C <sup>2</sup>	-0.03		

### Package Dimension



### Matching Configuration



L1= 12nH, L2=15nH, L3=18nH, L4=15nH  
 Source / Load Impedance = 50Ω  
 Ambient Temperature = 25°C

Rev0. 101011

