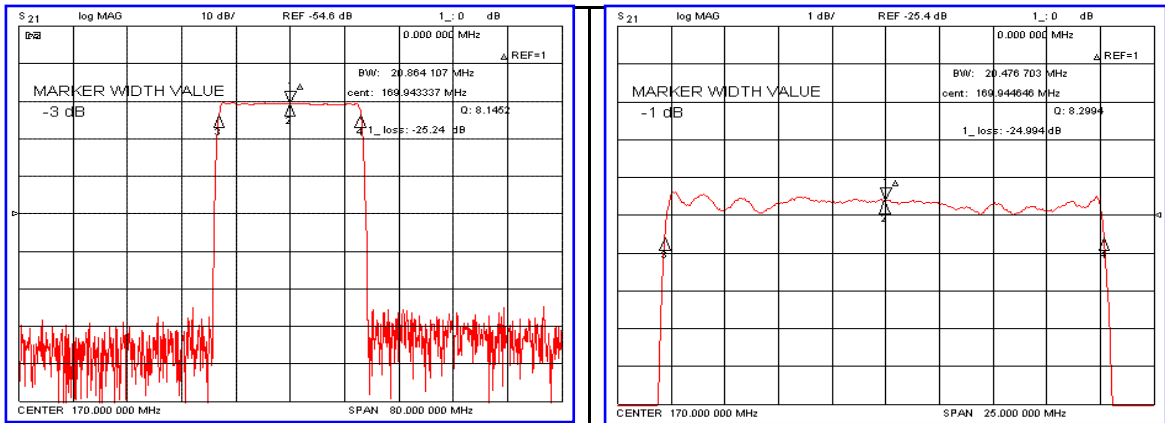


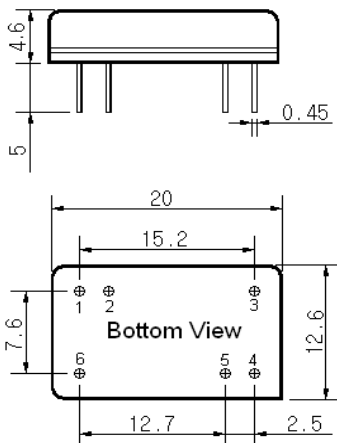
### Typical Performance



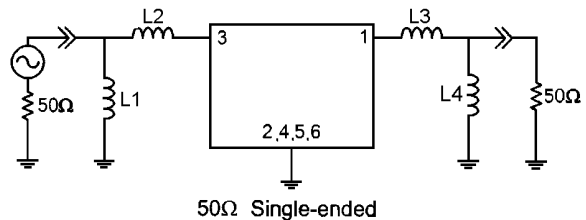
### Specification

Parameter	Unit	Min.	Typ.	Max.
Center Frequency (Fc)	MHz	169.85	170.00	170.15
Insertion Loss	dB	-	25.20	28.00
1dB Bandwidth	MHz	-	20.47	-
3dB Bandwidth	MHz	20.70	20.86	-
45dB Bandwidth	MHz	-	22.58	22.70
Passband Ripple	dB	-	0.55	1.00
Group Delay Variation	nsec	-	40	80
Absolute Delay	μsec	-	2.66	-
Ultimate Attenuation	dB	50	55	-
Substrate Material	-	112-LiTaO <sub>3</sub>		
Temperature Coefficient	ppm/°C	-20		

### Package Dimension



### Matching Configuration



L1=18nH, L2=L3=8.2nH, L4=22nH  
 Source / Load Impedance = 50Ω  
 Ambient Temperature = 25°C

09/25/2006

