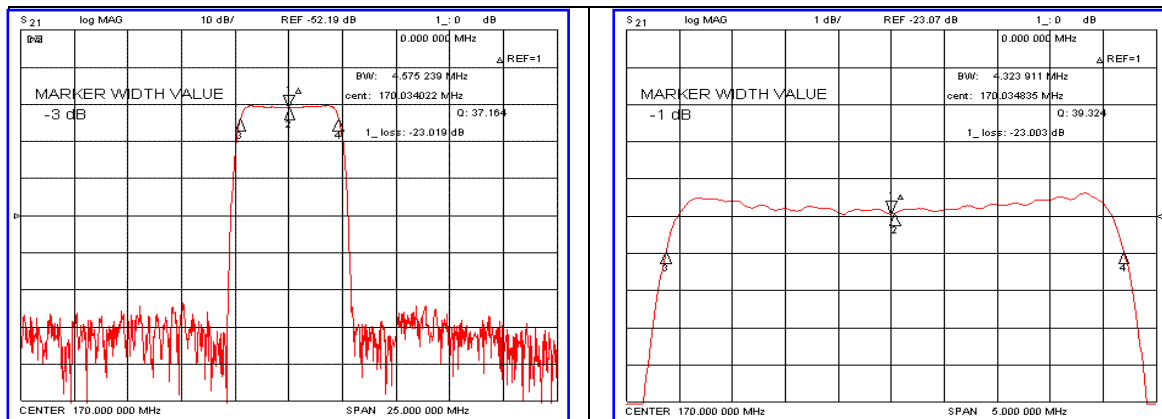


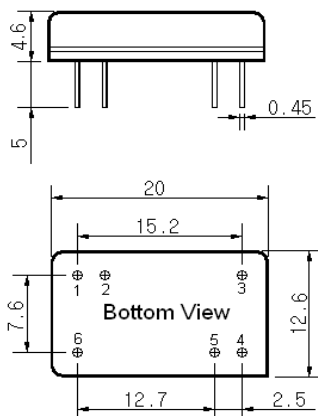
Typical Performance



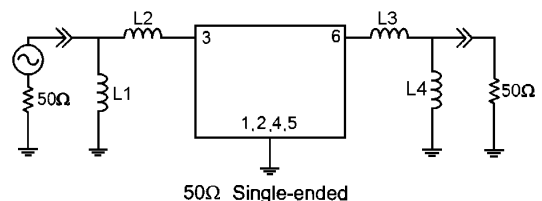
Specification

Parameter	Unit	Min.	Typ.	Max.
Center Frequency	MHz	169.85	170.00	170.15
Insertion Loss	dB	-	23.30	25.00
1dB Bandwidth	MHz	-	4.32	-
3dB Bandwidth	MHz	4.40	4.57	-
40dB Bandwidth	MHz	-	5.61	5.80
Passband Ripple	dB	-	0.55	1.00
Group Delay Variation	nsec	-	70	150
Absolute Delay	μsec	-	2.31	-
Ultimate Attenuation	dB	50	55	-
Substrate Material	-	Quartz		
Temperature Coefficient	ppm/°C ²	-0.03		

Package Dimension



Matching Configuration



L1= 22nH, L2=10nH, L3=12nH, L4=15nH
 Source / Load Impedance = 50Ω
 Ambient Temperature = 25°C

12/05/2006

