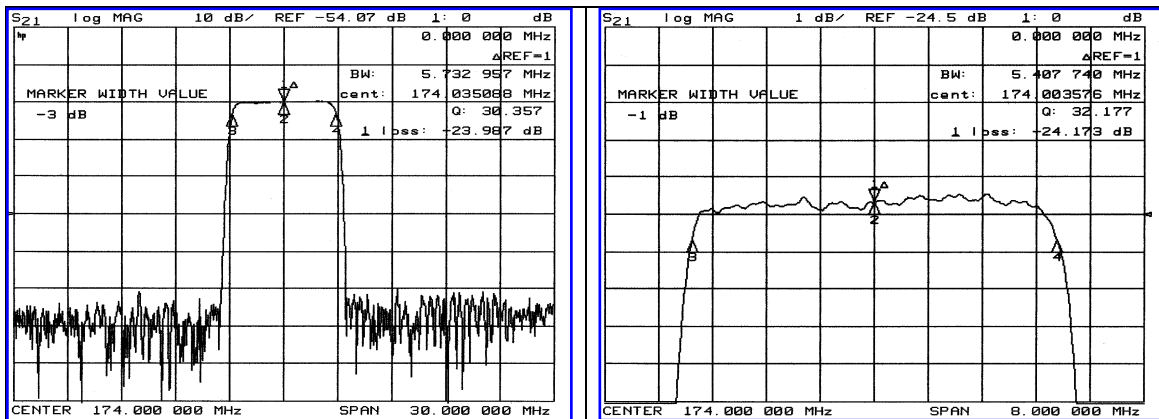


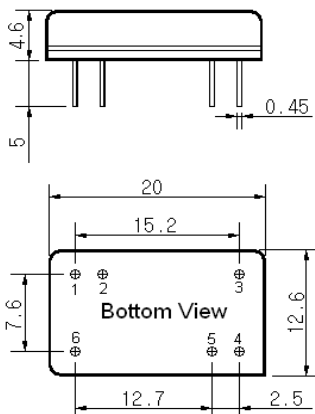
### Typical Performance



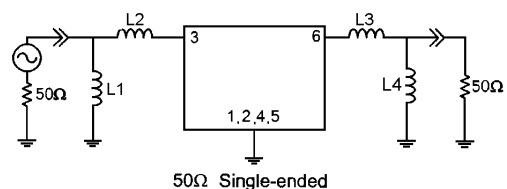
### Specification

Parameter	Unit	Min.	Typ.	Max.
Center Frequency	Mhz	173.88	174.00	174.12
Insertion Loss	dB	-	24.00	-
1dB Bandwidth	Mhz	5.20	5.40	-
3dB Bandwidth	Mhz	-	5.73	-
40dB Bandwidth	Mhz	-	6.74	7.00
50dB Bandwidth	Mhz	-	6.86	-
Passband Ripple (Fo±2.5Mhz)	dB	-	0.65	1.00
Group Delay Variation (Fo±2.5Mhz)	nsec	-	100	200
Absolute Delay	µsec	-	2.6	-
Ultimate Attenuation	dB	-	50	-
Substrate Material	-	Quartz		
Temperature Coefficient	ppm/°C <sup>2</sup>	-0.03		

### Package Dimension



### Matching Configuration



L1=24nH, L2=18nH, L3=18nH, L4=12nH  
 Source / Load Impedance = 50Ω  
 Ambient Temperature = 25°C

04/08/2005

