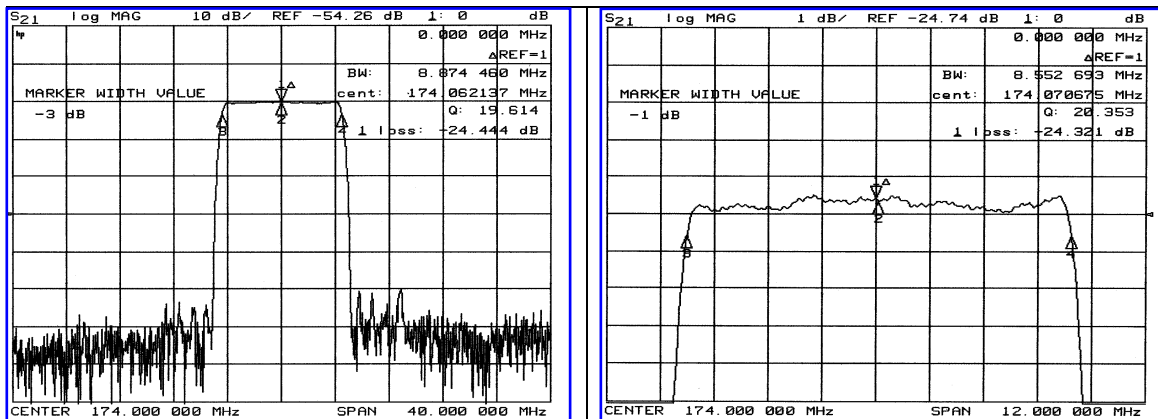


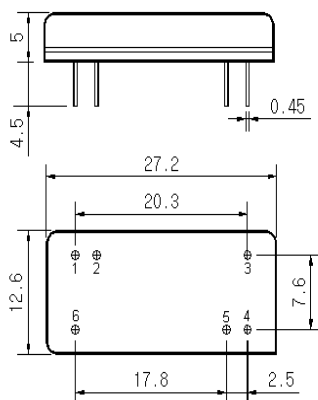
### Typical Performance



### Specification

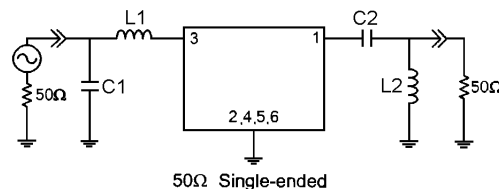
Parameter	Unit	Min.	Typ.	Max.
Center Frequency	Mhz	173.88	174.00	174.12
Insertion Loss	dB	-	24.50	26.00
1dB Bandwidth	Mhz	-	8.55	-
3dB Bandwidth	Mhz	8.70	8.87	-
40dB Bandwidth	Mhz	-	10.10	10.30
50dB Bandwidth	Mhz	-	10.20	-
Passband Ripple	dB	-	0.65	1.00
Group Delay Variation	nsec	-	50	100
Absolute Delay	µsec	-	2.9	-
Ultimate Attenuation	dB	50	55	-
Substrate Material	-	LiTaO3		
Temperature Coefficient	ppm/°C	-20		

### Package Dimension



1 : Output , 6 : Output Gnd  
 3 : Input , 4 : Input Gnd  
 2, 5 : Case Gnd

### Matching Configuration



L1=L2=27nH, C1=39pF, C2=82pF  
 Source / Load Impedance = 50Ω  
 Ambient Temperature = 25°C

04/08/2005

