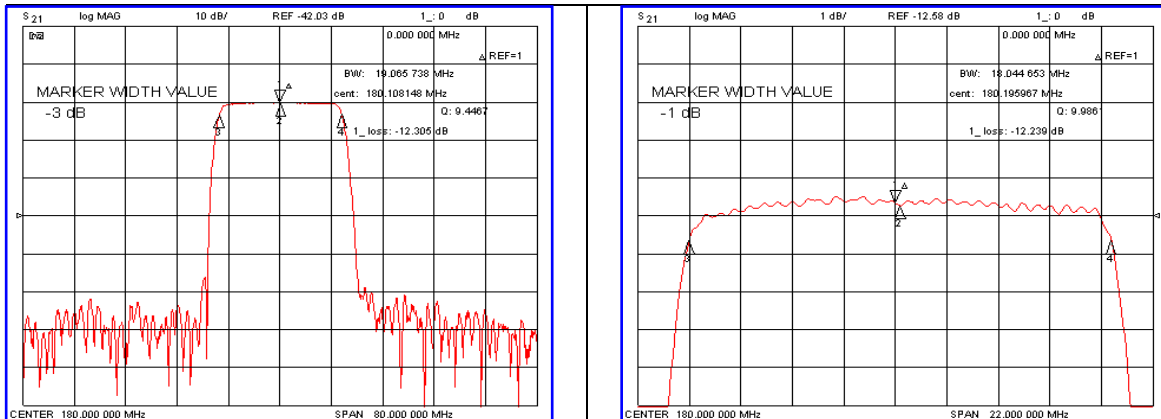


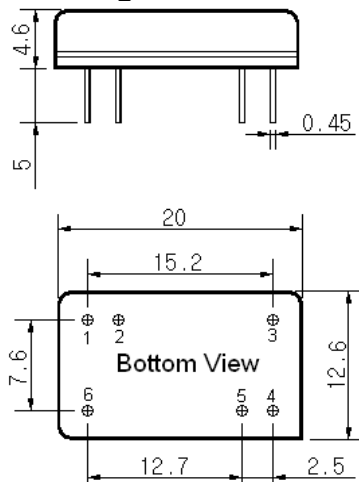
Typical Performance



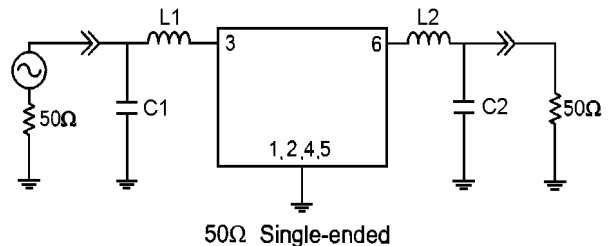
Specification

Parameter	Unit	Min.	Typ.	Max.
Center Frequency	MHz	-	180.00	-
Insertion Loss	dB	-	12.50	15.00
1dB Bandwidth	MHz	17.50	18.04	-
3dB Bandwidth	MHz	-	19.06	-
40dB Bandwidth	MHz	-	23.10	24.00
Passband Ripple($F_c \pm 7.5\text{MHz}$)	dB	-	0.60	1.00
Group Delay Variation($F_c \pm 7.5\text{MHz}$)	nsec	-	40	80
Absolute Delay	μsec	-	0.81	-
Ultimate Attenuation	dB	40	45	-
Substrate Material	-	YZ- LiNbO_3		
Temperature Coefficient	ppm/ $^{\circ}\text{C}$	-94		

Package Dimension



Matching Configuration



L1=15nH, L2=5.6nH, C1=47pF, C2=30pF
 Source / Load Impedance = 50 Ω
 Ambient Temperature = 25 $^{\circ}\text{C}$

Rev0. 091119

