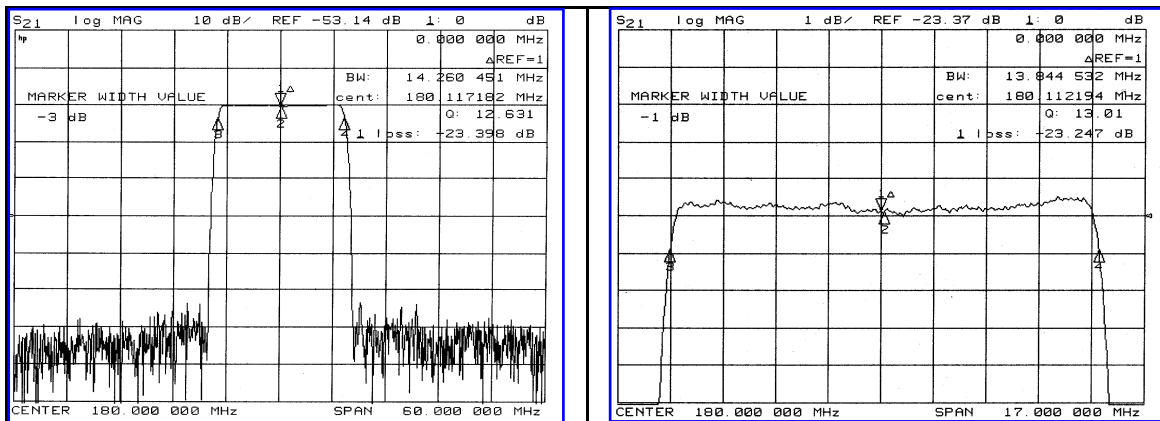


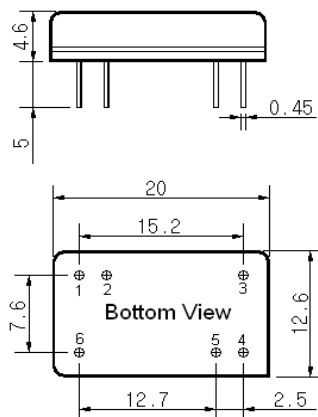
Typical Performance



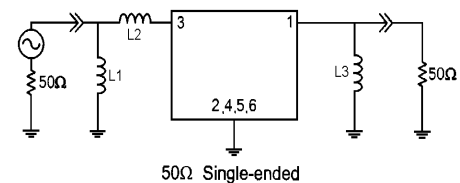
Specification

Parameter	Unit	Min.	Typ.	Max.
Center Frequency	MHz	179.75	180.00	180.25
Insertion Loss	dB	-	24.00	26.00
1dB Bandwidth	MHz	-	13.84	-
3dB Bandwidth	MHz	14.00	14.26	-
40dB Bandwidth	MHz	-	16.05	16.50
Passband Ripple	dB	-	0.65	1.00
Group Delay Variation	nsec	-	100	200
Absolute Delay	μsec	-	2.36	-
Ultimate Attenuation	dB	50	55	-
Substrate Material	-	LiTaO ₃		
Temperature Coefficient	ppm/°C	-20		

Package Dimension



Matching Configuration



L1=18nH, L2=5.7nH, L3=22nH
 Source / Load Impedance = 50Ω
 Ambient Temperature = 25°C

01/21/2006

