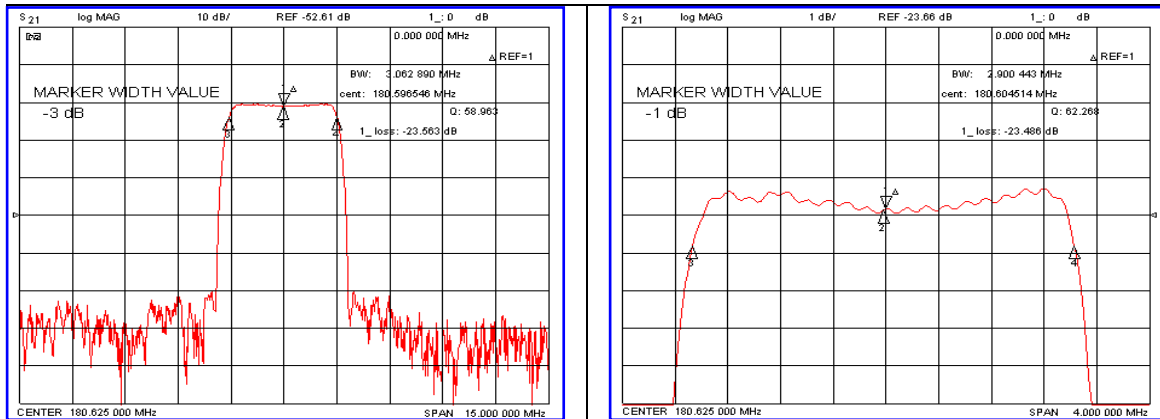


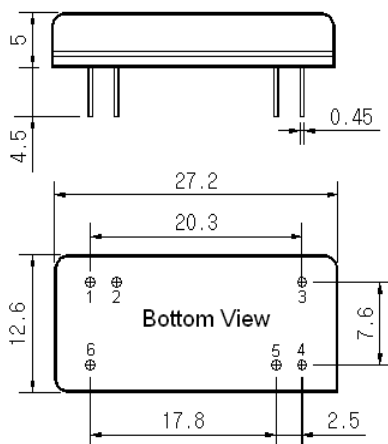
Typical Performance



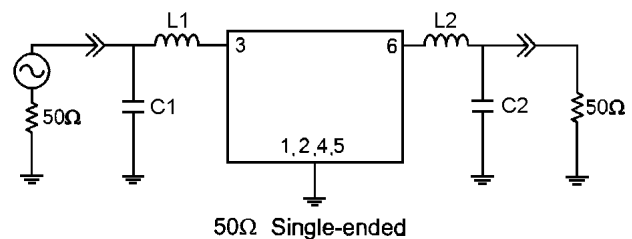
Specification

Parameter	Unit	Min.	Typ.	Max.
Center Frequency	MHz	-	180.625	-
Insertion Loss	dB	-	23.56	25.00
1dB Bandwidth	MHz	-	2.90	-
3dB Bandwidth	MHz	2.95	3.06	-
50dB Bandwidth	MHz	-	3.73	3.85
Passband Ripple	dB	-	0.66	1.00
Group Delay Variation	nsec	-	150	250
Absolute Delay	μsec	-	3.38	-
Ultimate Attenuation	dB	-	48	-
Substrate Material	-	Quartz		
Temperature Coefficient	ppm/°C	-0.03		

Package Dimension



Matching Configuration



L1=22nH, L2=27nH, C1=C2=51pF
 Source / Load Impedance = 50Ω
 Ambient Temperature = 25°C

