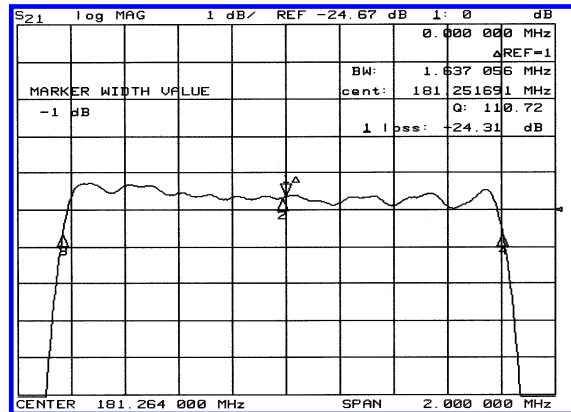
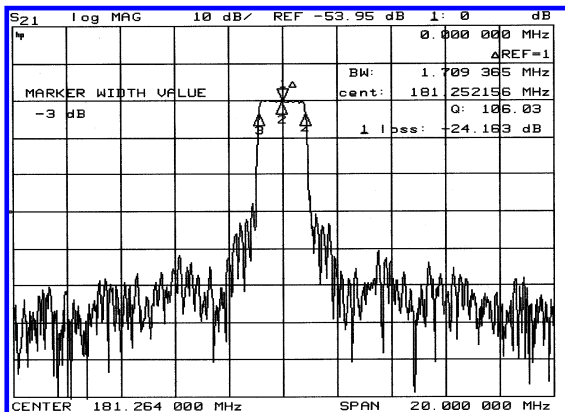


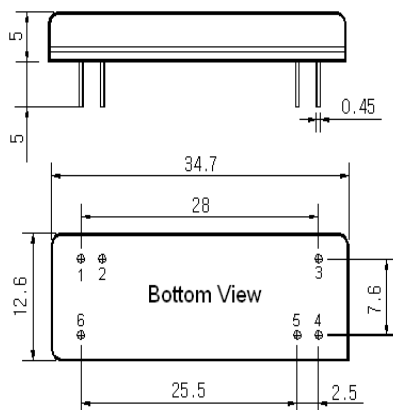
Typical Performance



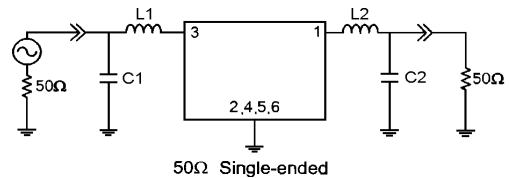
Specification

Parameter	Unit	Min.	Typ.	Max.
Center Frequency	Mhz	181.214	181.264	181.314
Insertion Loss	dB	-	24.50	-
1dB Bandwidth	Mhz	1.55	1.64	-
3dB Bandwidth	Mhz	1.65	1.71	-
30dB Bandwidth	Mhz	-	2.03	2.10
50dB Bandwidth	Mhz	-	-	-
Passband Ripple	dB	-	0.75	1.00
Group Delay Variation	nsec	-	100	200
Absolute Delay	μsec	-	4.8	-
Ultimate Attenuation	dB	-	40	-
Substrate Material	-	Quartz		
Temperature Coefficient	ppm/°C ²	-0.03		

Package Dimension



Matching Configuration



L1=15nH, L2=15nH, C1=68pF, C2=51pF
 Source / Load Impedance = 50Ω
 Ambient Temperature = 25°C

01/14/2005

