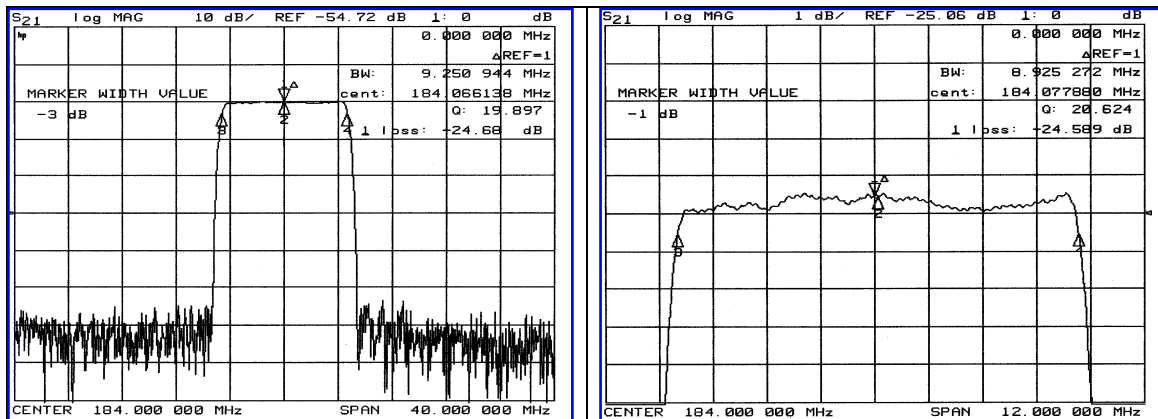


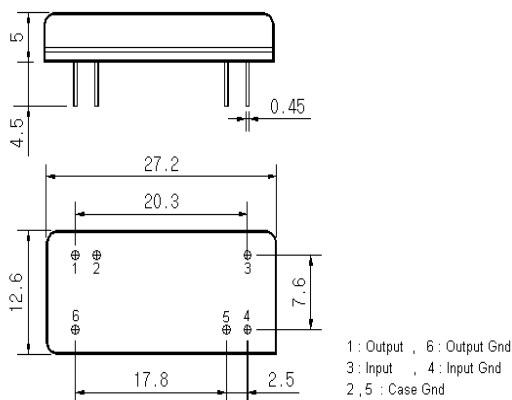
Typical Performance



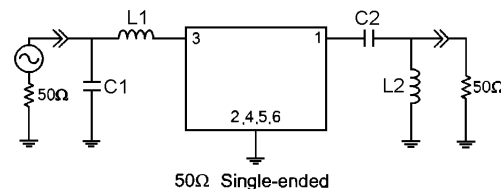
Specification

Parameter	Unit	Min.	Typ.	Max.
Center Frequency	Mhz	183.88	184.00	184.12
Insertion Loss	dB	-	24.50	26.00
1dB Bandwidth	Mhz	-	8.92	-
3dB Bandwidth	Mhz	9.00	9.25	-
40dB Bandwidth	Mhz	-	10.50	10.70
50dB Bandwidth	Mhz	-	10.61	-
Passband Ripple	dB	-	0.65	1.00
Group Delay Variation	nsec	-	50	100
Absolute Delay	µsec	-	2.8	-
Ultimate Attenuation	dB	50	55	-
Substrate Material	-	LiTaO3		
Temperature Coefficient	ppm/°C	-20		

Package Dimension



Matching Configuration



L1=L2=22nH, C1=39pF, C2=82pF
 Source / Load Impedance = 50Ω
 Ambient Temperature = 25°C

04/08/2005

