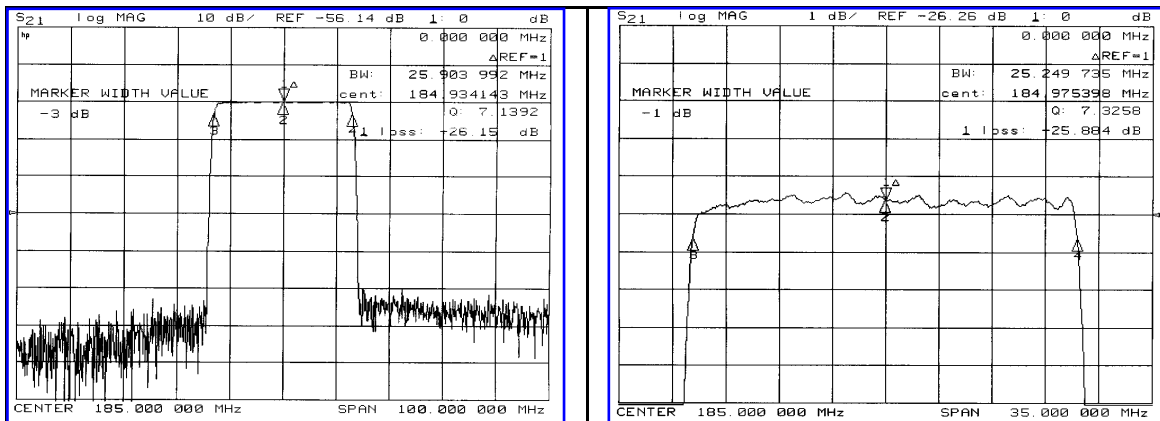


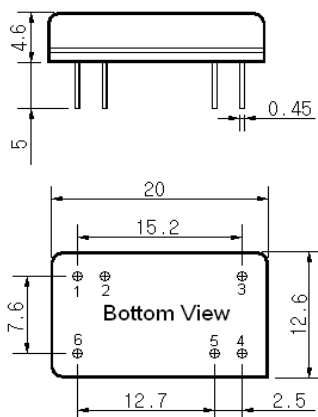
Typical Performance



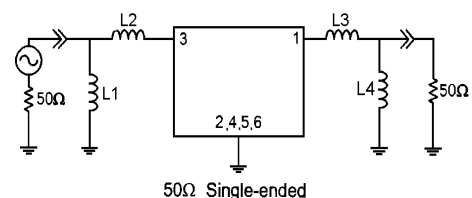
Specification

Parameter	Unit	Min.	Typ.	Max.
Center Frequency (Fc)	MHz	-	185.00	-
Insertion Loss	dB	-	26.50	27.50
1dB Bandwidth	MHz	-	25.24	-
3dB Bandwidth	MHz	25.80	25.90	-
40dB Bandwidth	MHz	-	28.25	28.50
Passband Ripple (Fc±12.48MHz)	dB	-	0.85	1.00
Group Delay Variation (Fc±12.48MHz)	nsec	-	30	80
Absolute Delay	µsec	-	2.08	-
Ultimate Attenuation	dB	48	53	-
Substrate Material	-	LiTaO ₃		
Temperature Coefficient	ppm/°C	-20		

Package Dimension



Matching Configuration



L1=18nH, L2=10nH, L3=12nH, L4=15nH
 Source / Load Impedance = 50Ω
 Ambient Temperature = 25°C

03/06/2006

