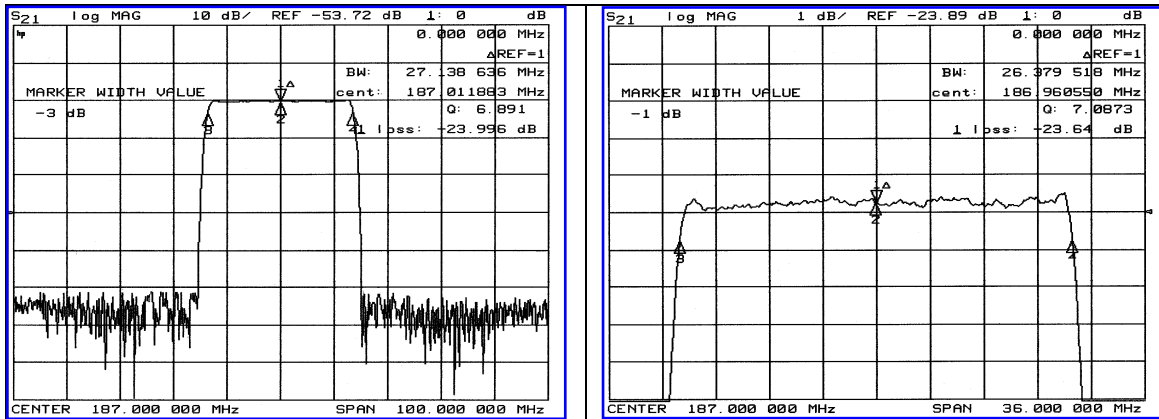


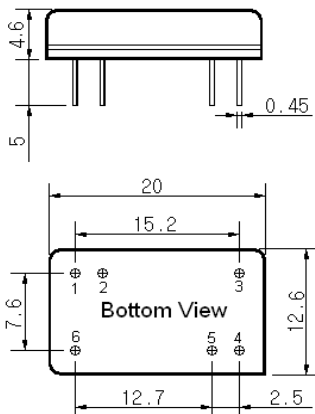
Typical Performance



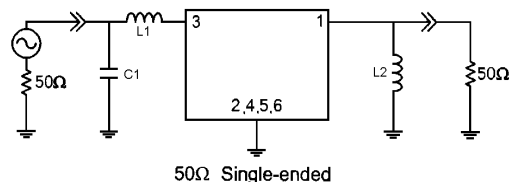
Specification

Parameter	Unit	Min.	Typ.	Max.
Center Frequency	Mhz	186.75	187.00	187.25
Insertion Loss	dB	-	24.00	26.00
1dB Bandwidth	Mhz	-	26.37	-
3dB Bandwidth	Mhz	27.00	27.13	-
40dB Bandwidth	Mhz	-	30.25	30.50
50dB Bandwidth	Mhz	-	30.48	-
Passband Ripple	dB	-	0.55	1.00
Group Delay Variation	nsec	-	50	100
Absolute Delay	µsec	-	1.1	-
Ultimate Attenuation	dB	50	52	-
Substrate Material	-	128-LiNbO ₃		
Temperature Coefficient	ppm/°C	-72		

Package Dimension



Matching Configuration



L1=18nH, L2=68nH, C1=12pF
 Source / Load Impedance = 50Ω
 Ambient Temperature = 25°C

02/23/2005

