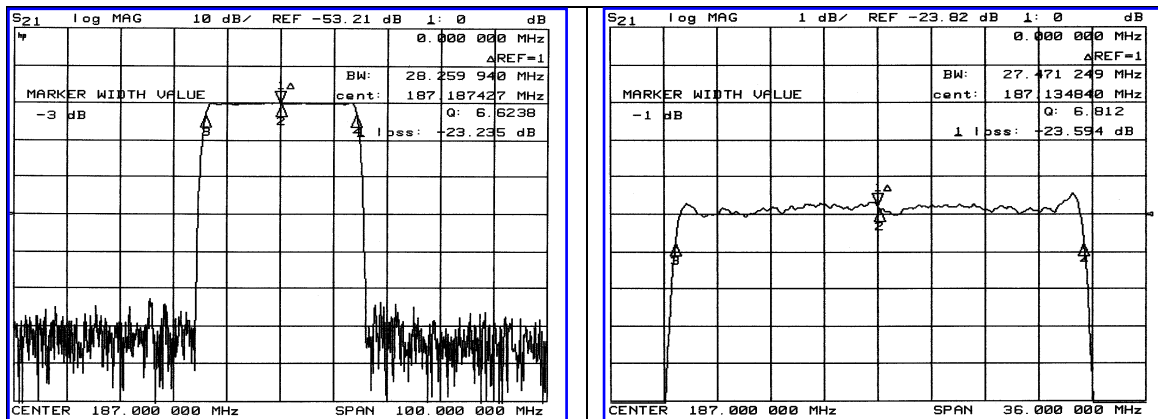


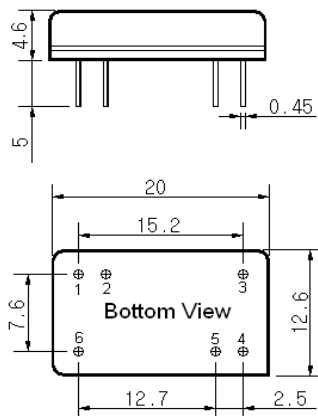
Typical Performance



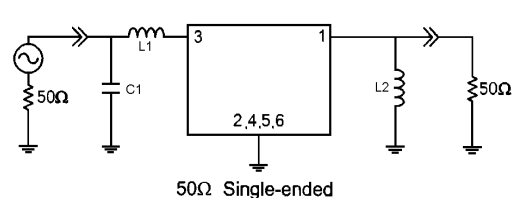
Specification

Parameter	Unit	Min.	Typ.	Max.
Center Frequency	MHz	186.75	187.00	187.25
Insertion Loss	dB	-	23.50	25.00
1dB Bandwidth	MHz	-	27.47	-
3dB Bandwidth	MHz	28.00	28.25	-
40dB Bandwidth	MHz	-	31.38	31.50
Passband Ripple	dB	-	0.55	1.00
Group Delay Variation	nsec	-	50	100
Absolute Delay	µsec	-	1.06	-
Ultimate Attenuation	dB	50	55	-
Substrate Material	-	128-LiNbO ₃		
Temperature Coefficient	ppm/°C	-72		

Package Dimension



Matching Configuration



L1=22nH, L2=56nH, C1=11pF
 Source / Load Impedance = 50Ω
 Ambient Temperature = 25°C

10/10/2005

