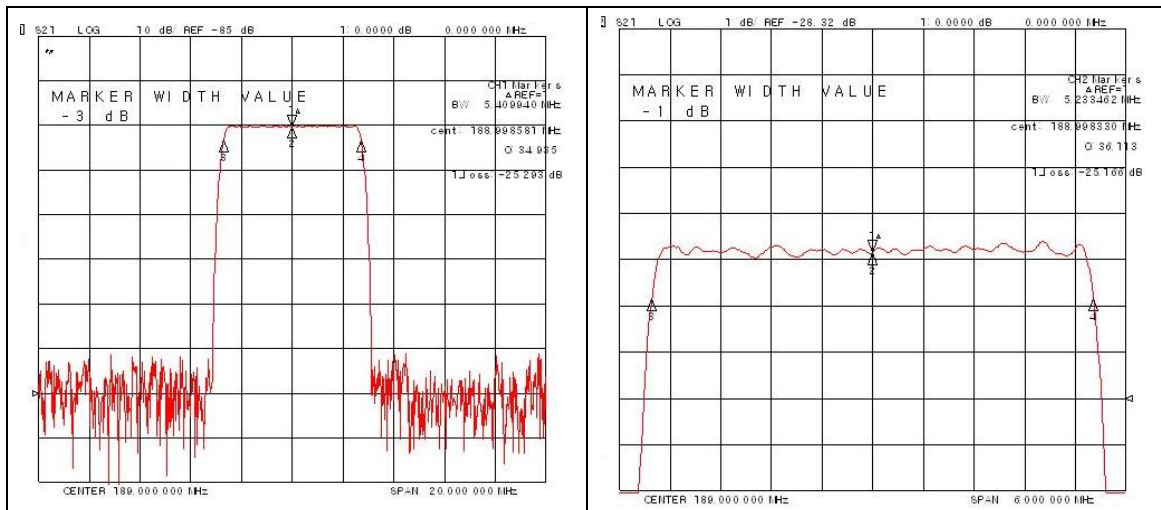


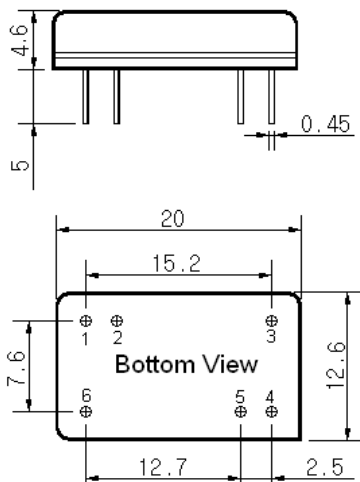
Typical Performance



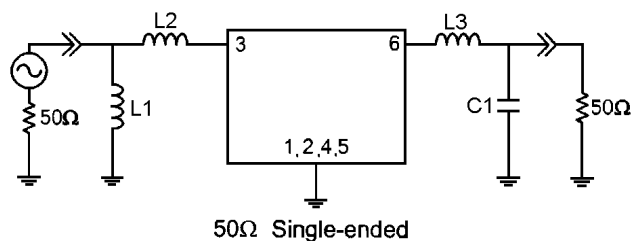
Specification

Parameter	Unit	Min.	Typ.	Max.
Center Frequency	MHz	-	189.00	-
Insertion Loss	dB	-	25.00	27.00
1dB Bandwidth	MHz	5.10	5.23	-
10dB Bandwidth	MHz	-	5.70	-
40dB Bandwidth	MHz	-	6.20	6.50
Passband Ripple ($F_c \pm 2.496\text{MHz}$)	dB	-	0.50	1.20
Group Delay Variation ($F_c \pm 2.496\text{MHz}$)	nsec	-	100	200
Absolute Delay	µsec	-	2.53	-
Ultimate Attenuation	dB	45	50	-
Substrate Material	-	Quartz		
Temperature Coefficient	ppm/°C	-0.032		

Package Dimension



Matching Configuration



L1=12nH, L2=5.6nH, L3=39nH, C1=30pF
Source / Load Impedance = 50Ω
Ambient Temperature = 25°C

Rev.0 170817

