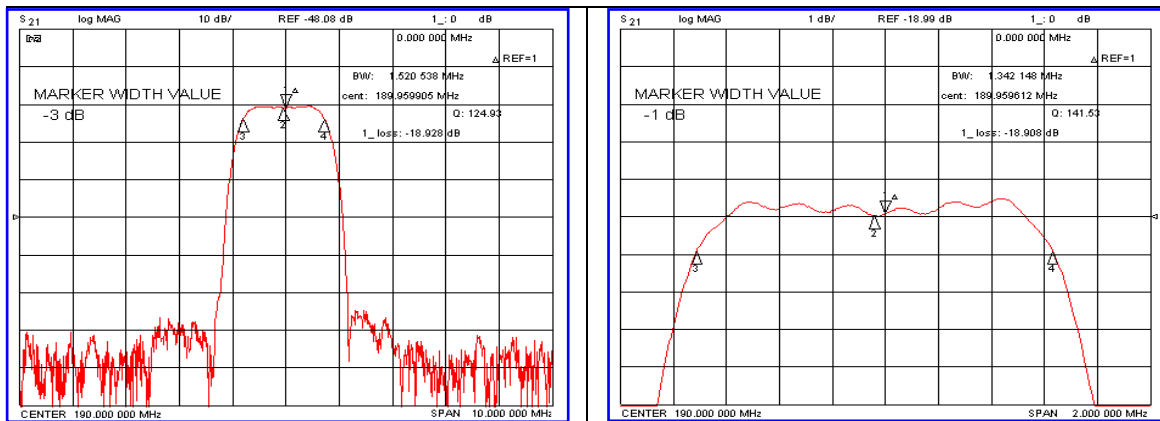


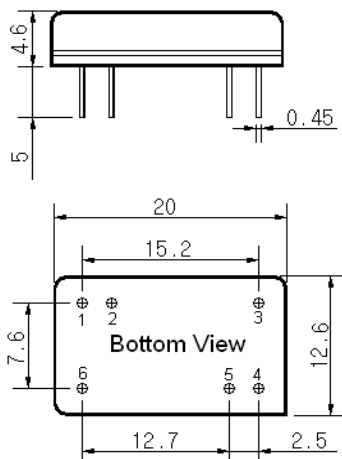
### Typical Performance



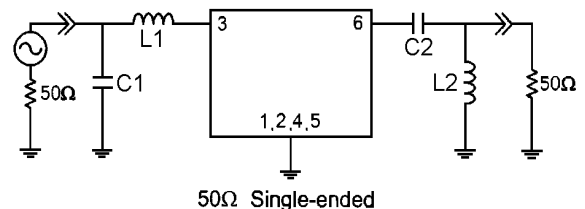
### Specification

Parameter	Unit	Min.	Typ.	Max.
Center Frequency	MHz	189.80	190.00	190.20
Insertion Loss	dB	-	19.00	22.00
1dB Bandwidth	MHz	-	1.34	-
3dB Bandwidth	MHz	1.30	1.52	-
40dB Bandwidth	MHz	-	2.30	2.50
Passband Ripple	dB	-	0.50	1.00
Group Delay Variation	nsec	-	190	300
Absolute Delay	μsec	-	2.55	-
Ultimate Attenuation	dB	50	52	-
Substrate Material	-	Quartz		
Temperature Coefficient	ppm/°C <sup>2</sup>	-0.03		

### Package Dimension



### Matching Configuration



L1=18nH, L2=27nH, C1=51pF, C2=43pF  
 Source / Load Impedance = 50Ω  
 Ambient Temperature = 25°C

Rev0.070711

