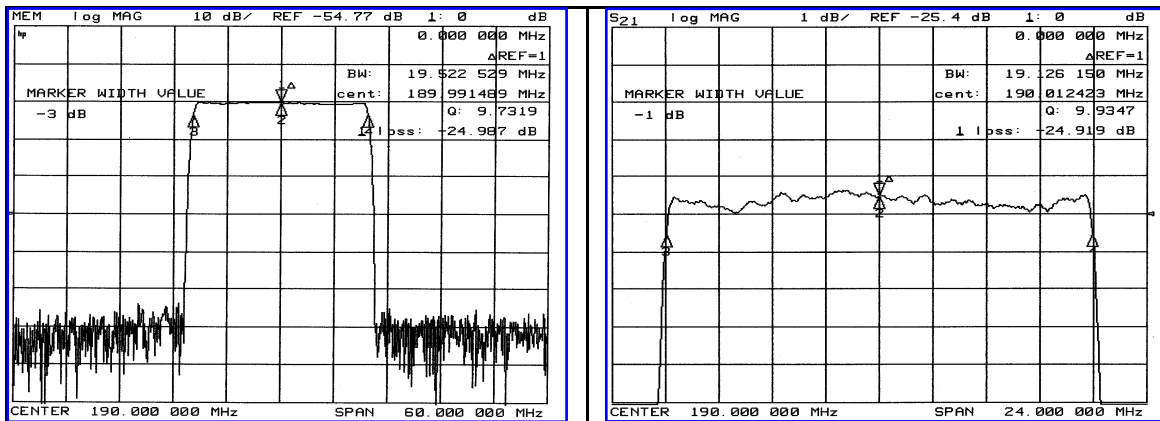


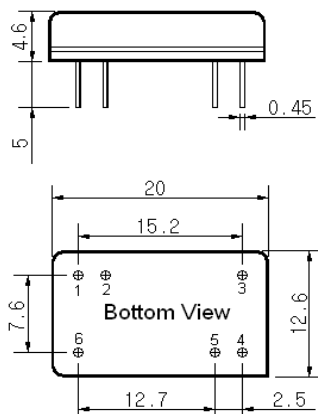
Typical Performance



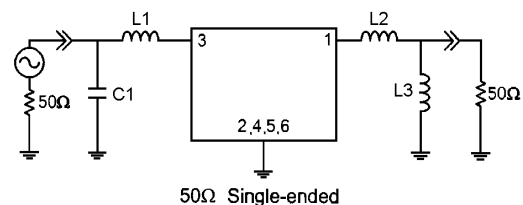
Specification

Parameter	Unit	Min.	Typ.	Max.
Center Frequency	MHz	189.85	190.00	190.15
Insertion Loss	dB	-	25.00	26.50
1dB Bandwidth	MHz	-	19.12	-
3dB Bandwidth	MHz	19.40	19.52	-
40dB Bandwidth	MHz	-	21.12	21.30
Passband Ripple	dB	-	0.65	1.00
Group Delay Variation	nsec	-	50	100
Absolute Delay	μsec	-	2.50	-
Ultimate Attenuation	dB	50	55	-
Operating Temp. Range	°C	-20	+25	+70
Substrate Material	-	LiTaO ³		
Temperature Coefficient	ppm/°C	-23		

Package Dimension



Matching Configuration



L1=33nH , L2=8.2nH, L3=15nH, C1=39pF
 Source / Load Impedance = 50Ω
 Ambient Temperature = 25°C

08/08/2005

