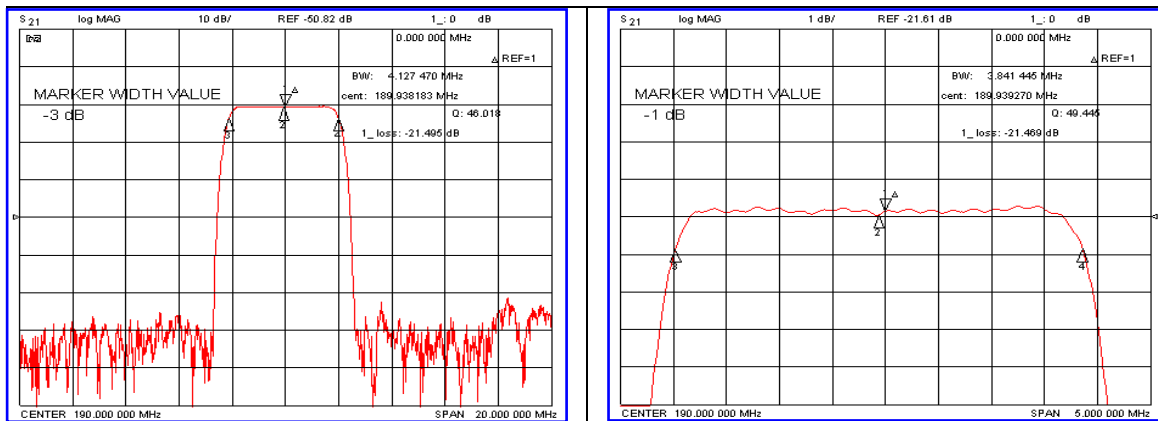


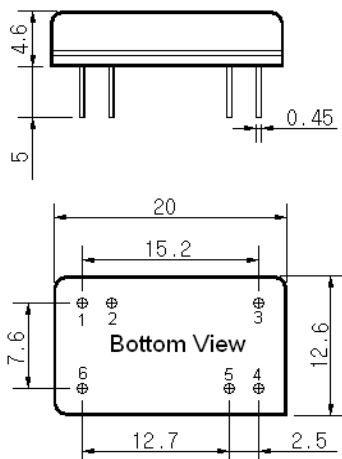
Typical Performance



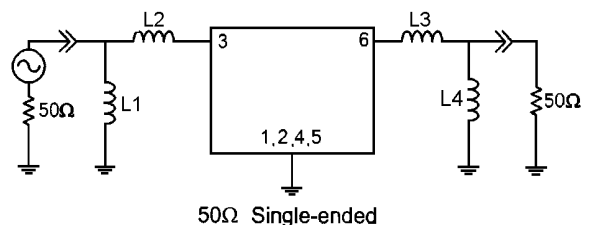
Specification

Parameter	Unit	Min.	Typ.	Max.
Center Frequency	MHz	189.80	190.00	190.20
Insertion Loss	dB	-	21.50	24.00
1dB Bandwidth	MHz	-	3.84	-
3dB Bandwidth	MHz	4.00	4.12	-
40dB Bandwidth	MHz	-	5.15	5.30
Passband Ripple	dB	-	0.35	1.00
Group Delay Variation	nsec	-	100	200
Absolute Delay	μsec	-	2.46	-
Ultimate Attenuation	dB	50	52	-
Substrate Material	-	Quartz		
Temperature Coefficient	ppm/°C ²	-0.03		

Package Dimension



Matching Configuration



L1=22nH, L2=5.6nH, L3=3.9nH, L4=15nH
 Source / Load Impedance = 50Ω
 Ambient Temperature = 25°C

Rev0.070711

