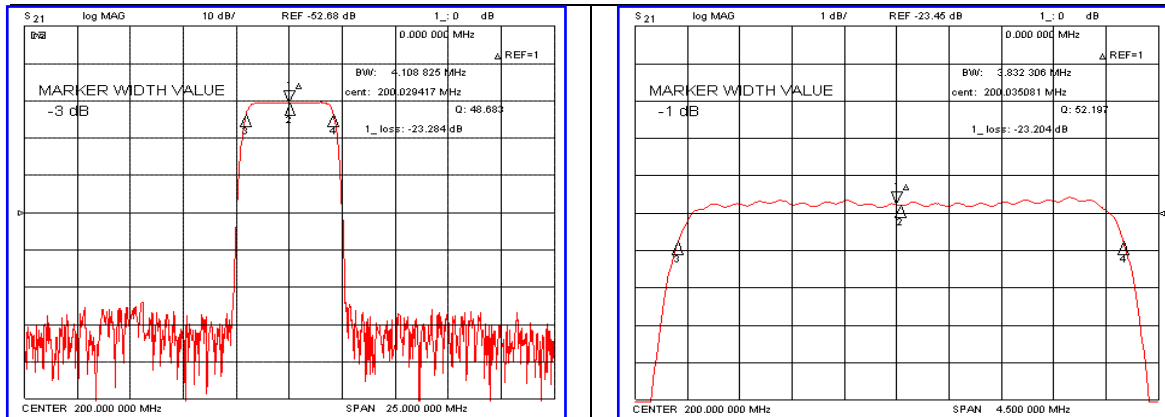


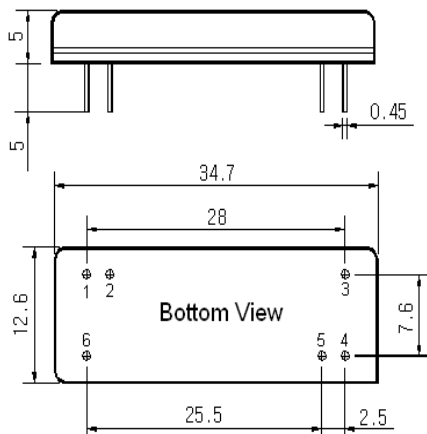
Typical Performance



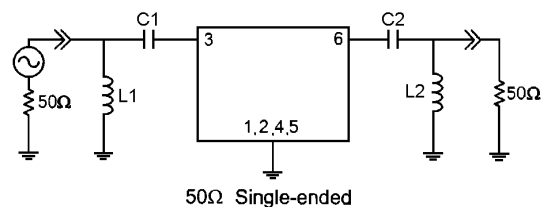
Specification

Parameter	Unit	Min.	Typ.	Max.
Center Frequency	MHz	190.80	200.00	200.20
Insertion Loss	dB	-	23.50	25.00
1dB Bandwidth	MHz	-	3.82	-
3dB Bandwidth	MHz	3.90	4.10	-
40dB Bandwidth	MHz	-	5.13	-
50dB Bandwidth	MHz	-	5.25	5.40
Passband Ripple	dB	-	0.50	1.00
Group Delay Variation	nsec	-	100	200
Absolute Delay	μsec	-	2.62	-
Ultimate Attenuation	dB	50	55	-
Substrate Material	-	Quartz		
Temperature Coefficient	ppm/°C	-0.03		

Package Dimension



Matching Configuration



L1=18nH, L2=15nH, C1=170pF, C2=110pF
 Source / Load Impedance = 50Ω
 Ambient Temperature = 25°C

Rev1.070213

