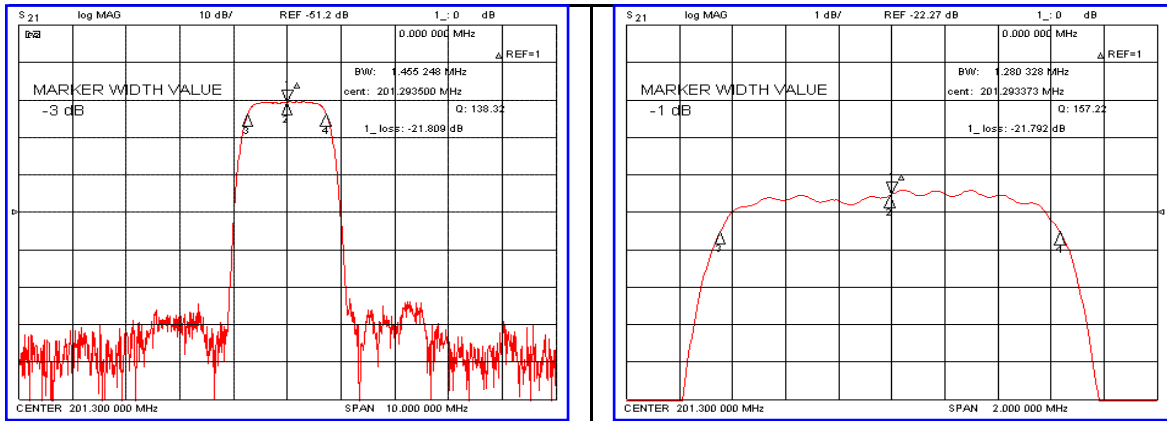


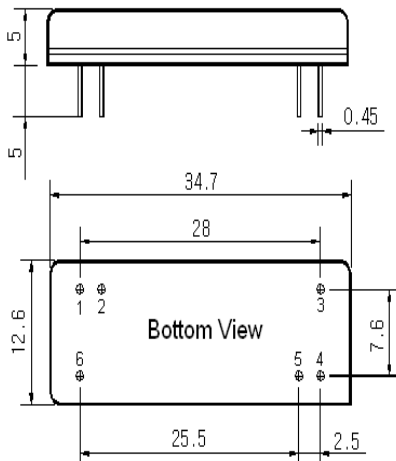
Typical Performance



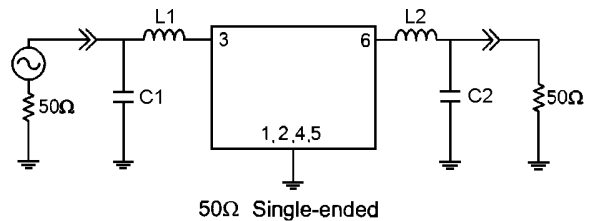
Specification

Parameter	Unit	Min.	Typ.	Max.
Center Frequency	MHz	201.10	201.30	201.50
Insertion Loss	dB	-	22.00	25.00
1dB Bandwidth	MHz	1.10	1.28	-
3dB Bandwidth	MHz	-	1.45	-
40dB Bandwidth	MHz	-	2.08	2.20
Passband Ripple($F_c \pm 0.5$ MHz)	dB	-	0.55	1.00
Group Delay Variation($F_c \pm 0.5$ MHz)	nsec	-	180	250
Absolute Delay	μ sec	-	3.92	-
Ultimate Attenuation	dB	48	52	-
Substrate Material	-	Quartz		
Temperature Coefficient	ppm/ $^{\circ}$ C	-0.03		

Package Dimension



Matching Configuration



L1=2.7nH, L2=3.9nH, C1=39pF, C2=47pF
 Source / Load Impedance = 50 Ω
 Ambient Temperature = 25 $^{\circ}$ C

Rev0. 070409

