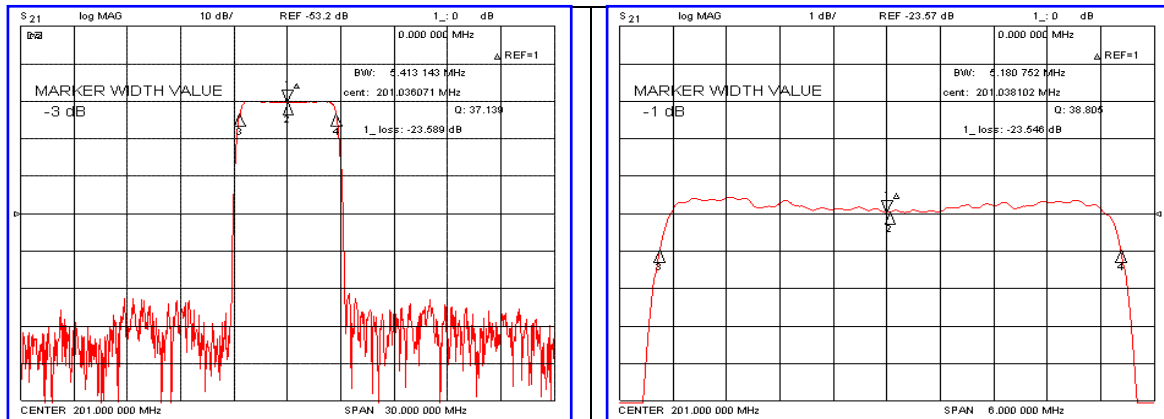


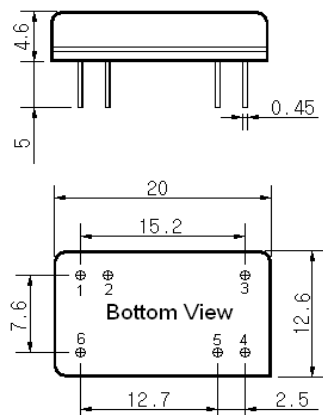
## Typical Performance



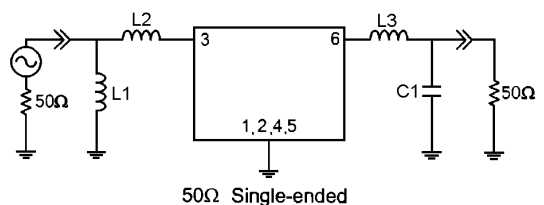
## Specification

Parameter	Unit	Min.	Typ.	Max.
Center Frequency (Fc)	Mhz	-	201.00	-
Insertion Loss	dB	-	23.50	25.00
1dB Bandwidth	Mhz	-	5.18	-
3dB Bandwidth	Mhz	5.20	5.41	-
10dB Bandwidth	Mhz	-	5.76	-
40dB Bandwidth	Mhz	-	6.28	6.50
Passband Ripple	dB	-	0.50	1.00
Group Delay Variation	nsec	-	100	200
Absolute Delay	μsec	-	2.43	-
Ultimate Attenuation	dB	48	53	-
Substrate Material	-	Quartz		
Temperature Coefficient	ppm/°C <sup>2</sup>	-0.03		

## Package Dimension



## Matching Configuration



L1=15nH, L2=12nH, L3=33nH, C1=43pF  
 Source / Load Impedance = 50Ω  
 Ambient Temperature = 25°C

