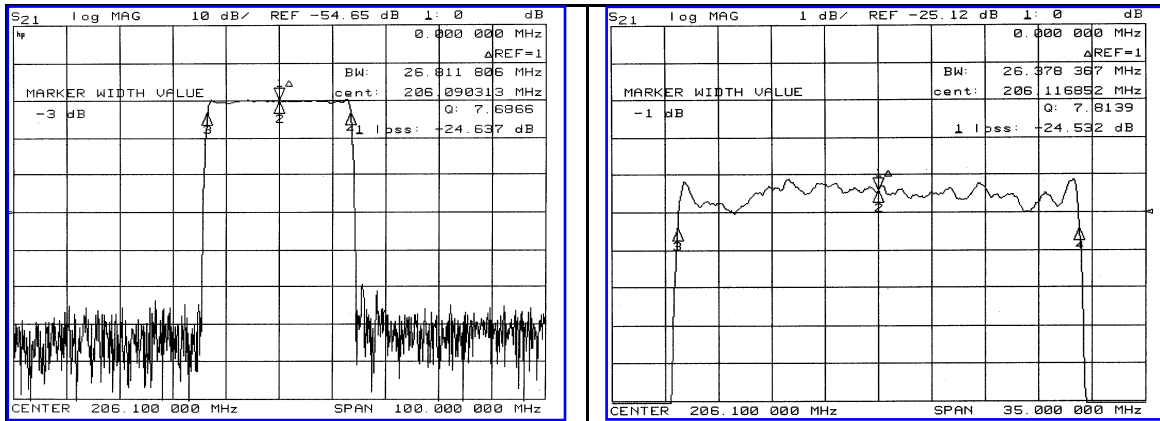


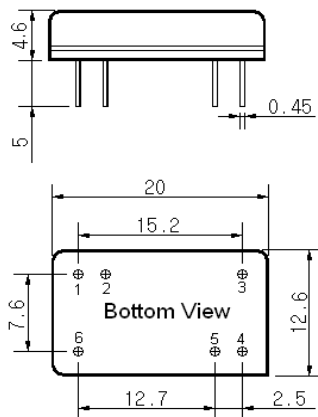
Typical Performance



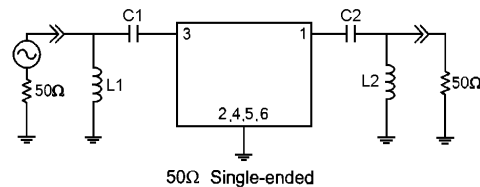
Specification

Parameter	Unit	Min.	Typ.	Max.
Center Frequency	MHz	205.92	206.12	206.32
Insertion Loss	dB	-	24.50	26.00
1dB Bandwidth	MHz	-	26.37	-
3dB Bandwidth	MHz	26.50	26.81	-
40dB Bandwidth	MHz	-	28.73	29.00
Passband Ripple	dB	-	1.00	-
Group Delay Variation	nsec	-	50	100
Absolute Delay	µsec	-	1.60	-
Ultimate Attenuation	dB	45	50	-
Substrate Material	-	128-LiNbO ₃		
Temperature Coefficient	ppm/°C	-72		

Package Dimension



Matching Configuration



L1=39nH, L2=33nH, C1=43pF, C2=62pF
 Source / Load Impedance = 50Ω
 Ambient Temperature = 25°C

12/20/2005

