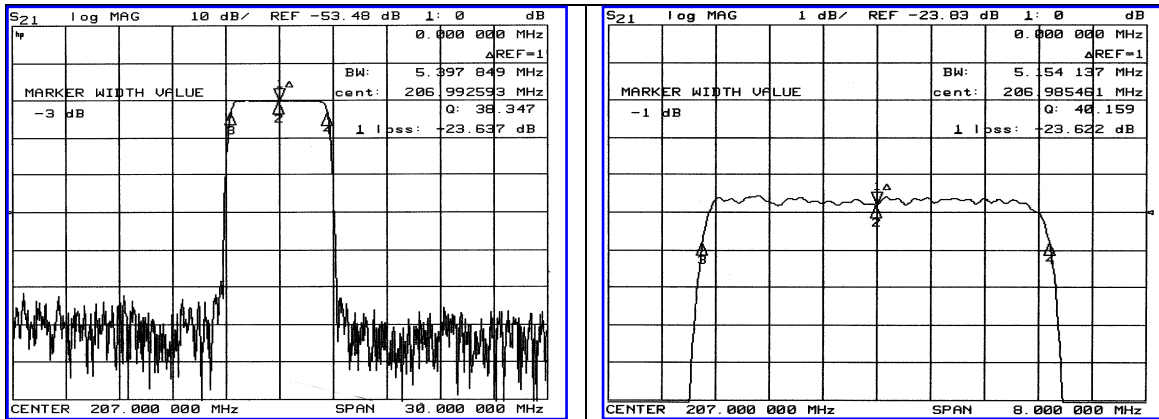


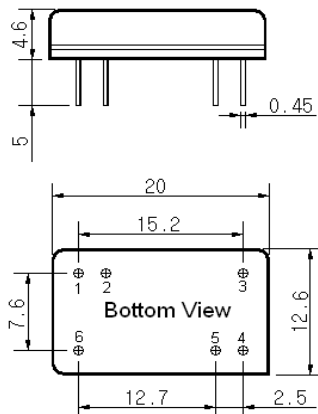
Typical Performance



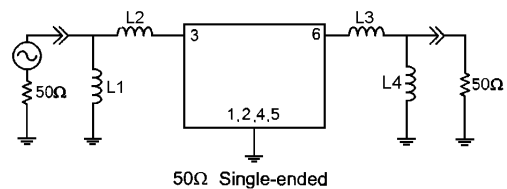
Specification

| Parameter | Unit | Min. | Typ. | Max. |
|-----------------------------------|---------------------|--------|--------|------|
| Center Frequency (Fc) | MHz | - | 207.00 | - |
| Insertion Loss | dB | - | 23.60 | - |
| 1dB Bandwidth | MHz | - | 5.15 | - |
| 3dB Bandwidth | MHz | - | 5.39 | - |
| 10dB Bandwidth | MHz | - | 5.74 | - |
| 40dB Bandwidth | MHz | - | 6.26 | - |
| Passband Ripple (Fc±2.4Mhz) | dB | - | 0.65 | 1.00 |
| Group Delay Variation (Fc±2.4Mhz) | nsec | - | 150 | 300 |
| Absolute Delay | µsec | - | 2.4 | - |
| Ultimate Attenuation | dB | - | 50 | - |
| Substrate Material | - | Quartz | | |
| Temperature Coefficient | ppm/°C ² | -0.03 | | |

Package Dimension



Matching Configuration



L1=18nH, L2=3nH, L3=4.3nH, L4=10nH
 Source / Load Impedance = 50Ω
 Ambient Temperature = 25°C

04/27/2005

