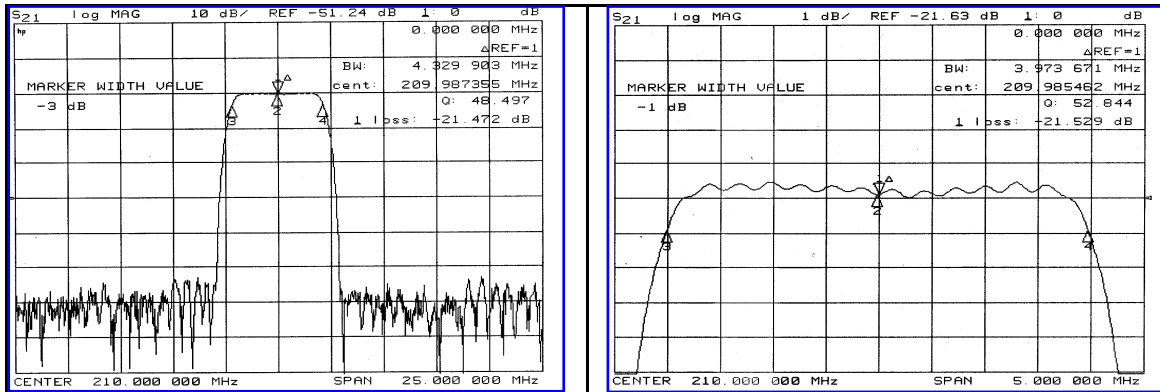


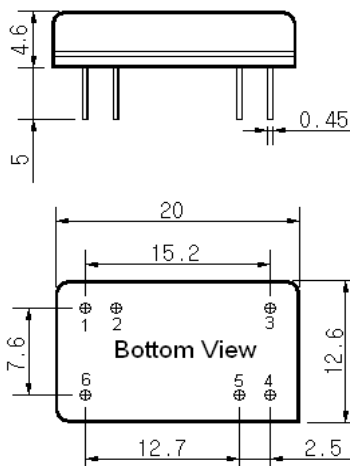
Typical Performance



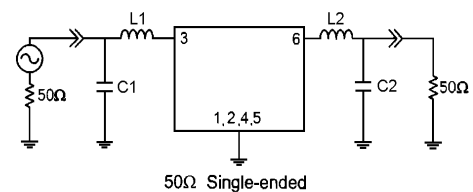
Specification

Parameter	Unit	Min.	Typ.	Max.
Center Frequency	MHz	209.80	210.00	210.20
Insertion Loss	dB	-	21.50	23.00
1dB Bandwidth	MHz	-	3.97	-
3dB Bandwidth	MHz	4.00	4.32	-
40dB Bandwidth	MHz	-	5.70	6.00
Passband Ripple	dB	-	0.55	1.00
Group Delay Variation	nsec	-	100	200
Absolute Delay	µsec	-	1.71	-
Ultimate Attenuation	dB	50	55	
Substrate Material	-	Quartz		
Temperature Coefficient	ppm/°C ²	-0.03		

Package Dimension



Matching Configuration



L1=39nH, L2=27nH, C1=39pF, C2=43pF
 Source / Load Impedance = 50Ω
 Ambient Temperature = 25°C

01/23/2006

