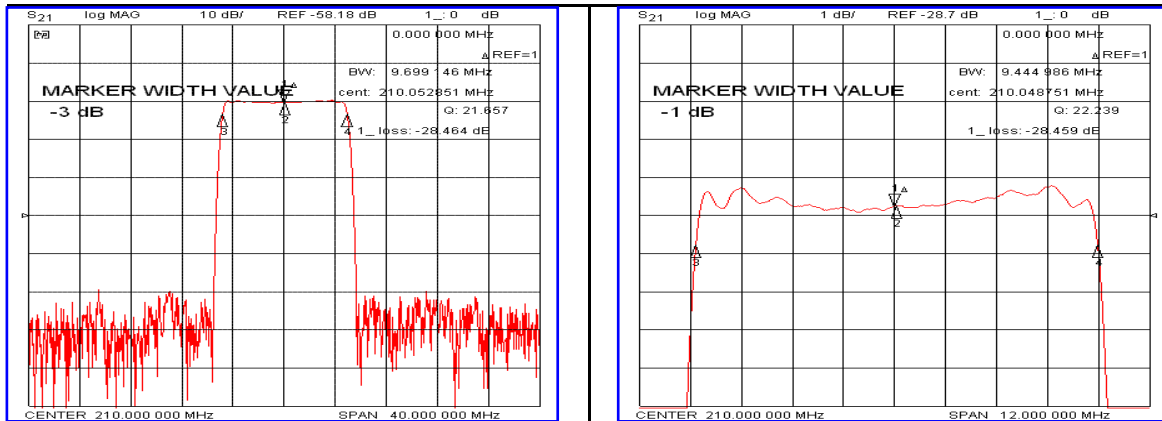


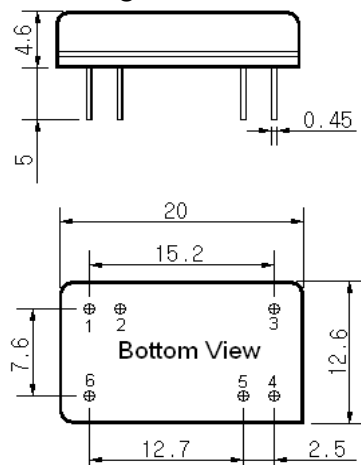
### Typical Performance



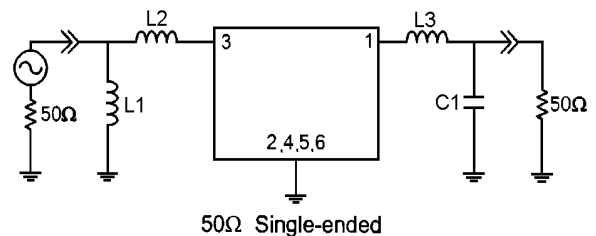
### Specification

Parameter	Unit	Min.	Typ.	Max.
Center Frequency	MHz	-	210.00	-
Insertion Loss	dB	-	28.50	30.00
1dB Bandwidth	MHz	9.30	9.44	-
3dB Bandwidth	MHz	-	9.69	-
40dB Bandwidth	MHz	-	11.00	11.20
Passband Ripple( $F_c \pm 4.5$ MHz)	dB	-	0.67	1.20
Group Delay Variation( $F_c \pm 4.5$ MHz)	dB	-	100	200
Ultimate Attenuation	dB	45	50	-
Absolute Delay	$\mu$ sec	-	1.91	-
Substrate Material	-	Quartz		
Temperature Coefficient	ppm/ $^{\circ}$ C	-0.03		

### Package Dimension



### Matching Configuration



L1=12nH, L2=12nH, C1=47pF, C2=33pF  
 Source / Load Impedance = 50 $\Omega$   
 Ambient Temperature = 25 $^{\circ}$ C

Rev 0. 120403

