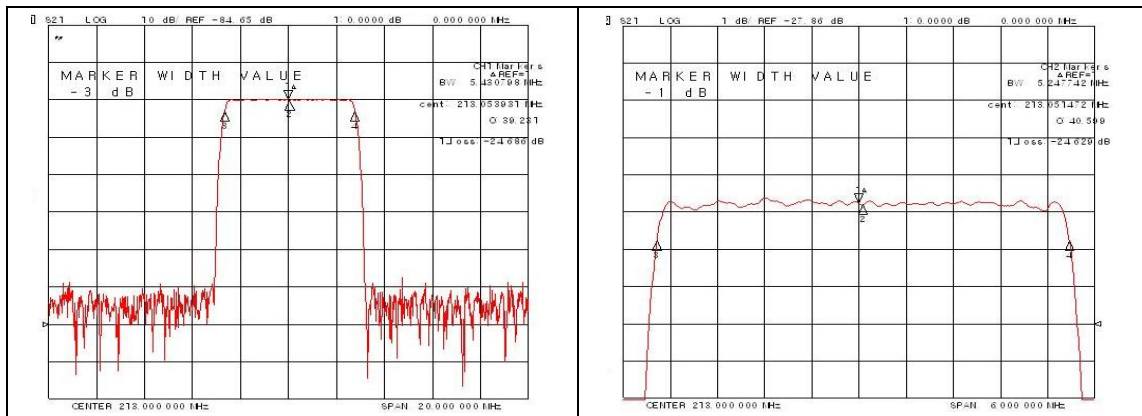


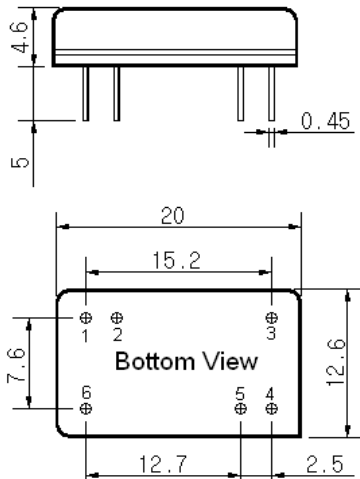
Typical Performance



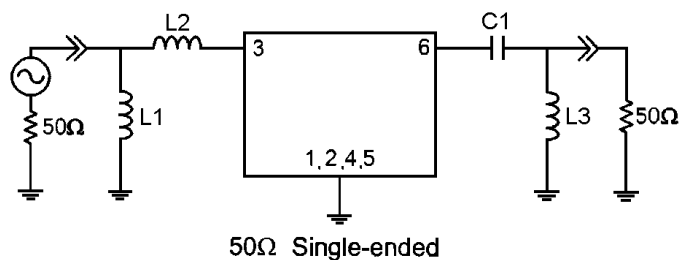
Specification

Parameter	Unit	Min.	Typ.	Max.
Center Frequency	MHz	-	213.00	-
Insertion Loss	dB	-	25.00	27.00
1dB Bandwidth	MHz	5.10	5.24	-
10dB Bandwidth	MHz	-	5.72	-
40dB Bandwidth	MHz	-	6.20	6.50
Passband Ripple($F_c \pm 2.496\text{MHz}$)	dB	-	0.50	1.20
Group Delay Variation($F_c \pm 2.496\text{MHz}$)	nsec	-	100	200
Absolute Delay	μsec	-	2.58	-
Ultimate Attenuation	dB	45	50	-
Substrate Material	-	Quartz		
Temperature Coefficient	ppm/ $^{\circ}\text{C}$	-0.032		

Package Dimension



Matching Configuration



$L1=8.2\text{nH}$, $L2=3.3\text{nH}$, $L3=18\text{nH}$, $C1=150\text{pF}$
 Source / Load Impedance = 50 Ω
 Ambient Temperature = 25 $^{\circ}\text{C}$

Rev.0 170817

