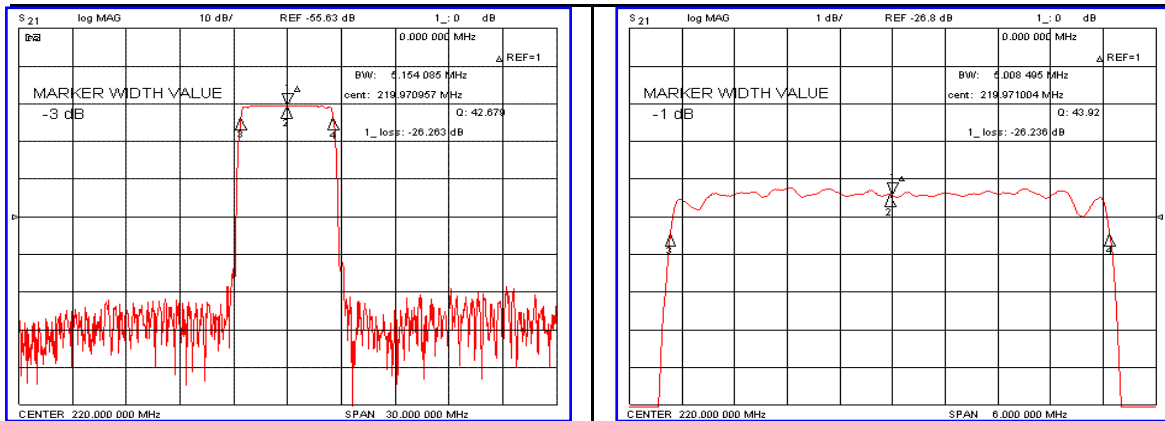


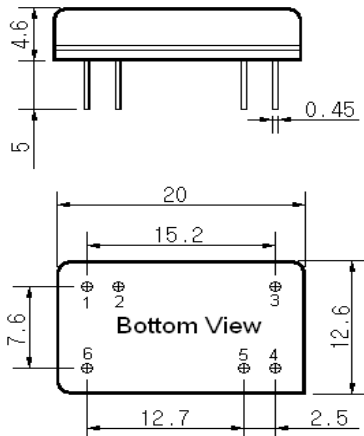
Typical Performance



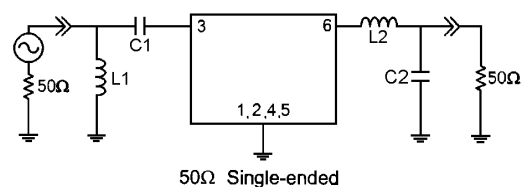
Specification

Parameter	Unit	Min.	Typ.	Max.
Center Frequency (fo)	MHz	-	220.00	-
Insertion Loss	dB	-	26.30	27.50
1dB Bandwidth	MHz	4.78	5.01	-
3dB Bandwidth	MHz	-	5.15	-
40dB Bandwidth	MHz	-	5.78	5.90
Passband Ripple (fo±2.39MHz)	dB	-	0.75	1.00
Group Delay Variation (fo±2.39MHz)	nsec	-	90	-
Absolute Delay	µsec	-	2.65	-
Relative Attenuation fo ±2.89MHz	dB	-	36	-
Substrate Material	-	Quartz		
Temperature Coefficient	ppm/°C	-0.03		

Package Dimension



Matching Configuration



L1=8.2nH, L2=22nH, C1=110pF, C2=33pF
 Source / Load Impedance = 50Ω
 Ambient Temperature = 25°C

Rev 0. 070607

