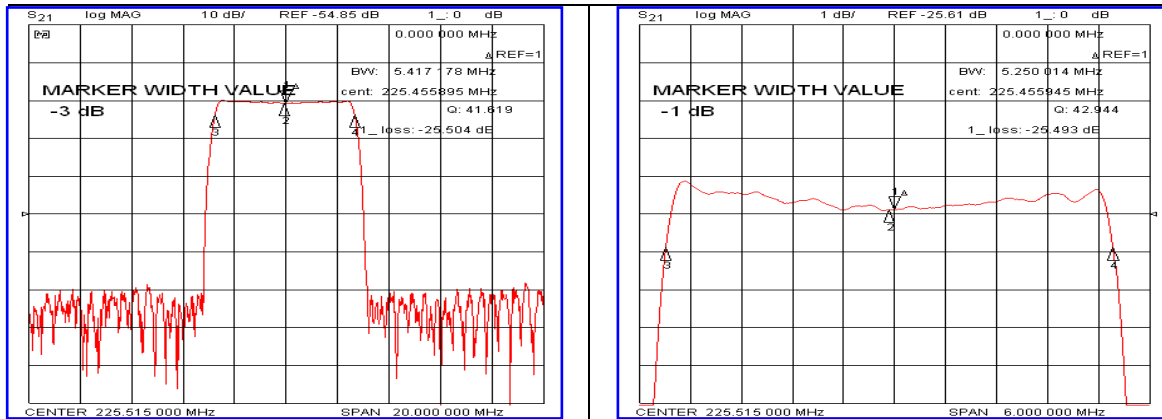


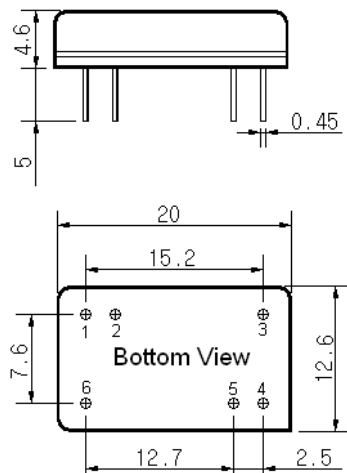
Typical Performance



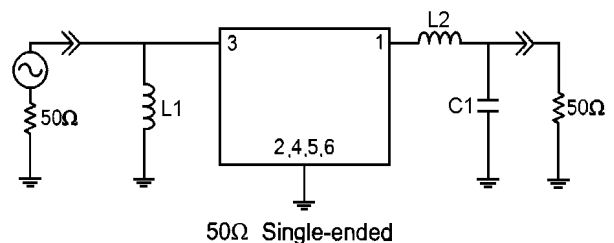
Specification

Parameter	Unit	Min.	Typ.	Max.
Center Frequency	MHz	-	225.515	-
Insertion Loss	dB	-	25.60	27.50
1dB Bandwidth	MHz	5.10	5.25	-
20dB Bandwidth	MHz	-	6.00	6.20
40dB Bandwidth	MHz	-	6.22	-
Passband Ripple( $F_c \pm 2.46$ MHz)	dB	-	0.80	1.40
Group Delay Variation( $F_c \pm 2.46$ MHz)	nsec	-	100	200
Absolute Delay	$\mu$ sec	-	2.22	-
Ultimate Attenuation	dB	40	47	-
Substrate Material	-	Quartz		
Temperature Coefficient	ppm/ $^{\circ}$ C	-0.032		

Package Dimension



Matching Configuration



L1=15nH, L2=27nH, C1=24pF  
Source / Load Impedance = 50Ω  
Ambient Temperature = 25°C

Rev.0 120326

