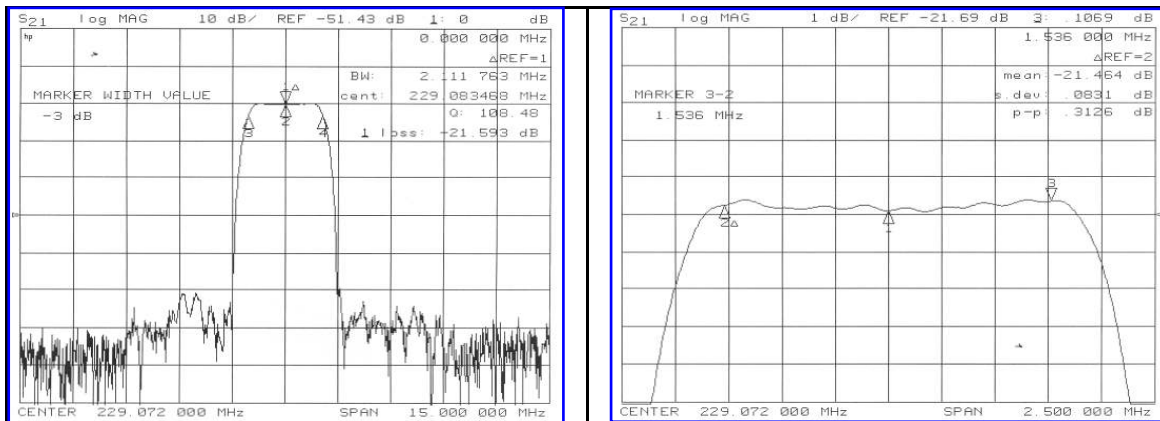


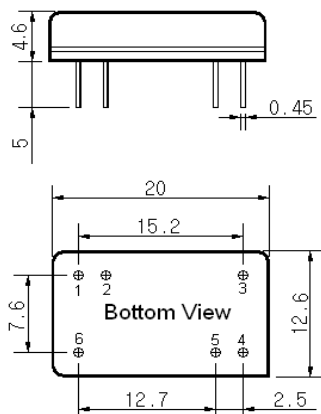
Typical Performance



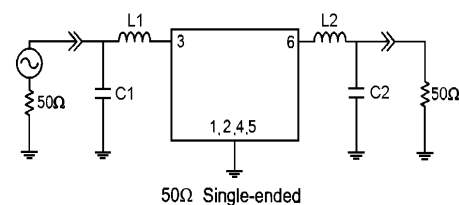
Specification

Parameter	Unit	Min.	Typ.	Max.
Center Frequency (Fc)	MHz	-	229.072	-
Insertion Loss	dB	-	21.50	23.00
1dB Bandwidth	MHz	-	1.91	-
3dB Bandwidth	MHz	-	2.11	-
5dB Bandwidth	MHz	-	2.23	-
20dB Bandwidth	MHz	-	2.67	-
40dB Bandwidth	MHz	-	2.91	-
Passband Ripple (Fc±0.768MHz)	dB	-	0.45	1.00
Group Delay Variation	nsec	-	112	150
Absolute Delay	µsec	-	2.66	-
Ultimate Attenuation	dB	50	53	-
Substrate Material	-	Quartz		

Package Dimension



Matching Configuration



L1 = L2 = 12nH, C1 = C2 = 30pF
 Source / Load Impedance = 50Ω
 Ambient Temperature = 25°C

07/11/2006

