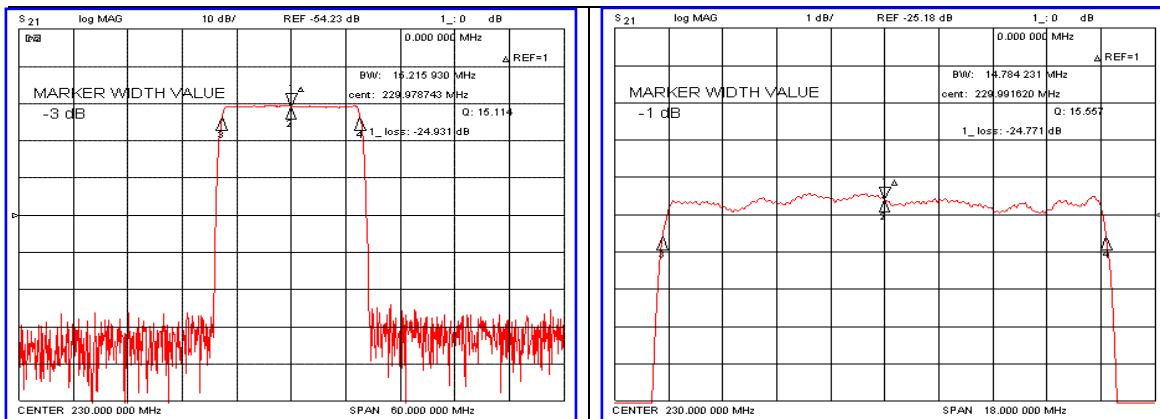


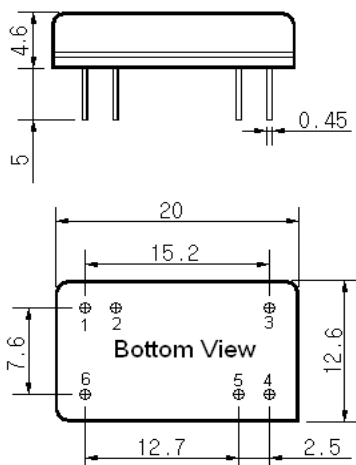
### Typical Performance



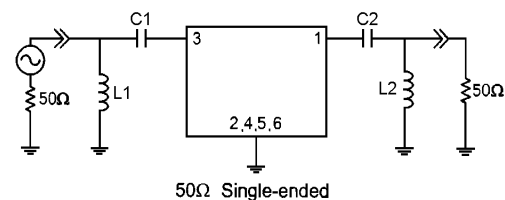
### Specification

Parameter	Unit	Min.	Typ.	Max.
Center Frequency	MHz	229.80	230.00	230.20
Insertion Loss	dB	-	25.00	27.00
1dB Bandwidth	MHz	-	14.78	-
3dB Bandwidth	MHz	15.00	15.21	-
40dB Bandwidth	MHz	-	16.82	17.00
Passband Ripple	dB	-	0.55	1.00
Group Delay Variation	nsec	-	50	100
Absolute Delay	μsec	-	2.64	-
Ultimate Attenuation	dB	50	55	-
Substrate Material	-	112-LiTaO <sub>3</sub>		
Temperature Coefficient	ppm/°C	-20		

### Package Dimension



### Matching Configuration



L1=12nH, L2=12nH, C1= C2=68pF  
 Source / Load Impedance = 50Ω  
 Ambient Temperature = 25°C

10/11/2006

