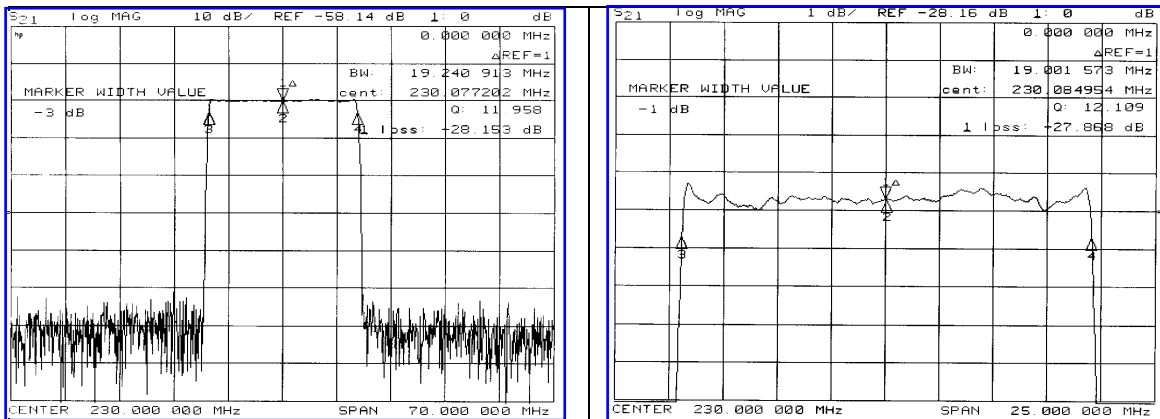


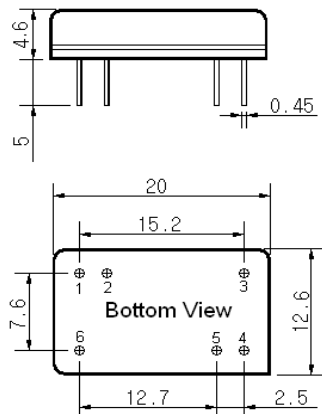
Typical Performance



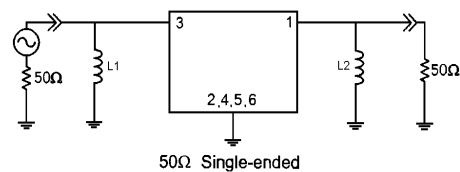
Specification

Parameter	Unit	Min.	Typ.	Max.
Center Frequency	MHz	229.80	230.00	230.20
Insertion Loss	dB	-	28.10	30.00
1dB Bandwidth	MHz	-	19.00	-
3dB Bandwidth	MHz	19.10	19.24	-
25dB Bandwidth	MHz	-	20.05	-
35dB Bandwidth	MHz	-	20.21	-
Passband Ripple	dB	-	0.75	1.00
Group Delay Variation	nsec	-	70	150
Absolute Delay	μsec	-	3.27	-
Ultimate Attenuation	dB	50	52	-
Substrate Material	-	112-LiTaO ₃		
Temperature Coefficient	ppm/°C	-20		

Package Dimension



Matching Configuration



L1=10nH, L2=10nH
 Source / Load Impedance = 50Ω
 Ambient Temperature = 25°C

06/19/2006

