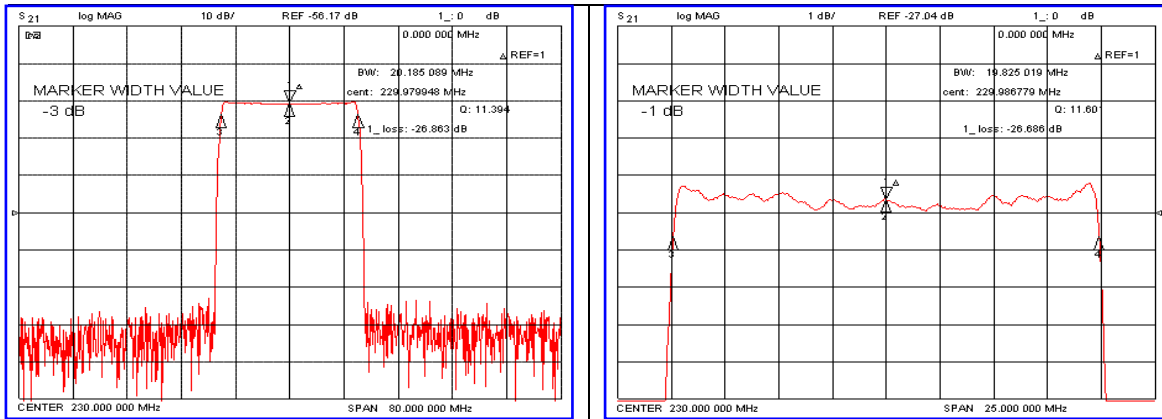


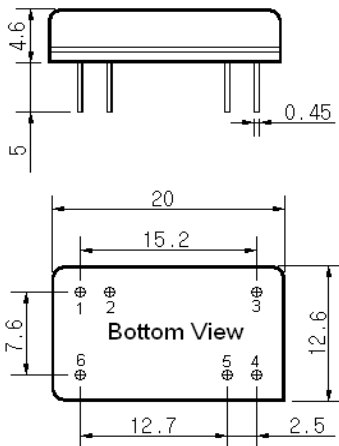
Typical Performance



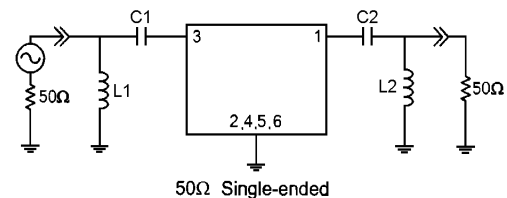
Specification

Parameter	Unit	Min.	Typ.	Max.
Center Frequency	MHz	229.80	230.00	230.20
Insertion Loss	dB	-	26.85	29.00
1dB Bandwidth	MHz	-	19.82	-
3dB Bandwidth	MHz	20.00	20.18	-
40dB Bandwidth	MHz	-	21.81	22.00
Passband Ripple	dB	-	0.75	1.00
Group Delay Variation	nsec	-	50	100
Absolute Delay	µsec	-	2.53	-
Ultimate Attenuation	dB	50	55	-
Substrate Material	-	112-LiTaO ₃		
Temperature Coefficient	ppm/°C	-20		

Package Dimension



Matching Configuration



L1= L2=12nH, C1= 82pF, C2=100pF
 Source / Load Impedance = 50Ω
 Ambient Temperature = 25°C

10/11/2006

