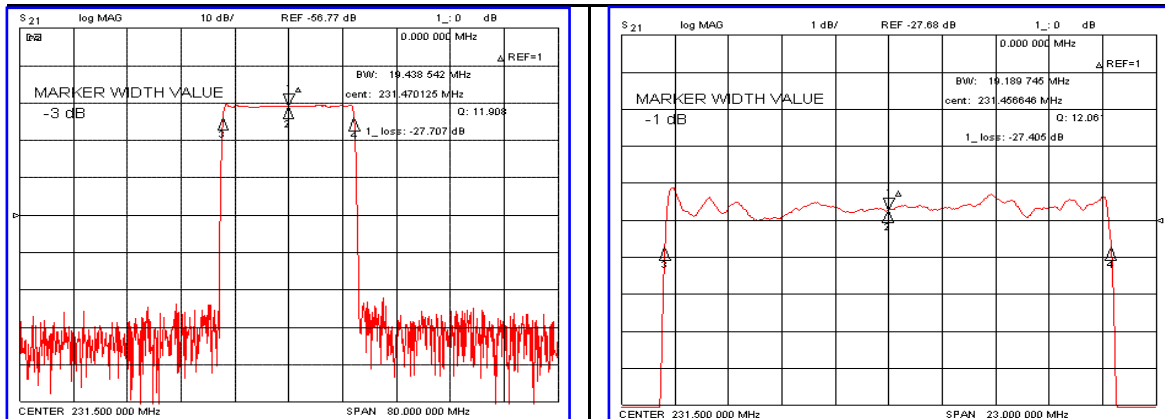


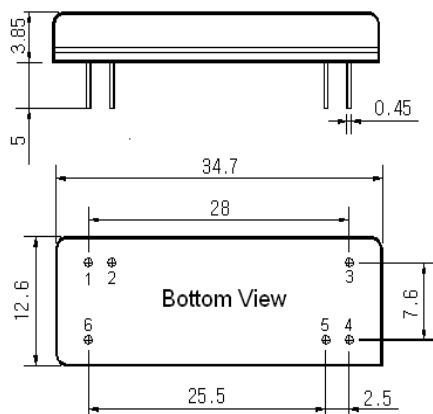
### Typical Performance



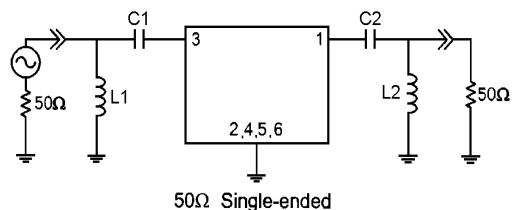
### Specification

Parameter	Unit	Min.	Typ.	Max.
Center Frequency (Fc)	MHz	231.30	231.50	231.70
Insertion Loss	dB	-	27.80	29.50
1dB Bandwidth	MHz	-	19.18	-
3dB Bandwidth	MHz	19.30	19.43	-
40dB Bandwidth	MHz	-	20.56	20.70
50dB Bandwidth	MHz	-	20.67	-
Passband Ripple	dB	-	0.75	1.00
Group Delay Variation	nsec	-	60	100
Absolute Delay	μsec	-	3.21	-
Ultimate Attenuation	dB	50	55	-
Substrate Material	-	<b>112-LiTaO<sub>3</sub></b>		
Temperature Coefficient	ppm/°C	-20		

### Package Dimension



### Matching Configuration



L1= L2=12nH, C1=C2=110pF  
 Source / Load Impedance = 50Ω  
 Ambient Temperature = 25°C

10/16/2006

