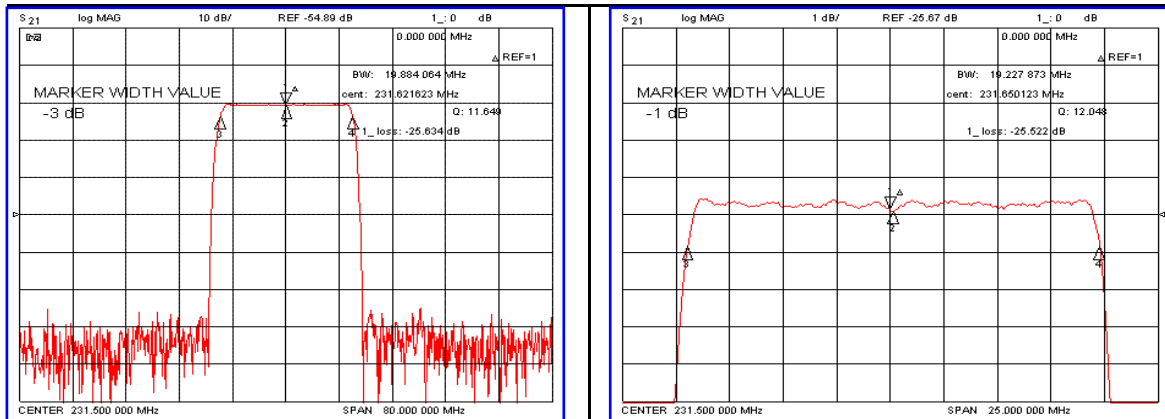


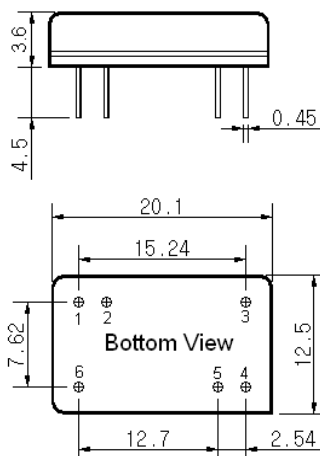
Typical Performance



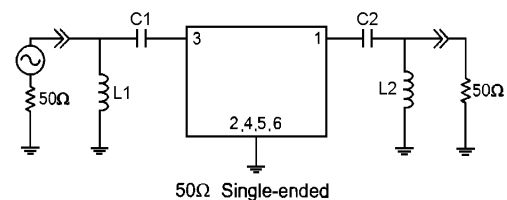
Specification

Parameter	Unit	Min.	Typ.	Max.
Center Frequency (Fc)	MHz	231.30	231.50	231.70
Insertion Loss	dB	-	25.60	27.00
1dB Bandwidth	MHz	-	19.22	-
3dB Bandwidth	MHz	19.70	19.88	-
40dB Bandwidth	MHz	-	22.68	22.80
Passband Ripple	dB	-	0.50	1.00
Group Delay Variation	nsec	-	50	100
Absolute Delay	µsec	-	1.92	-
Ultimate Attenuation	dB	50	55	-
Substrate Material	-	112-LiTaO ₃		
Temperature Coefficient	ppm/°C	-20		

Package Dimension



Matching Configuration



L1=12nH, L2=15nH, C1=82pF, C2=56pF
 Source / Load Impedance = 50Ω
 Ambient Temperature = 25°C

10/16/2006

