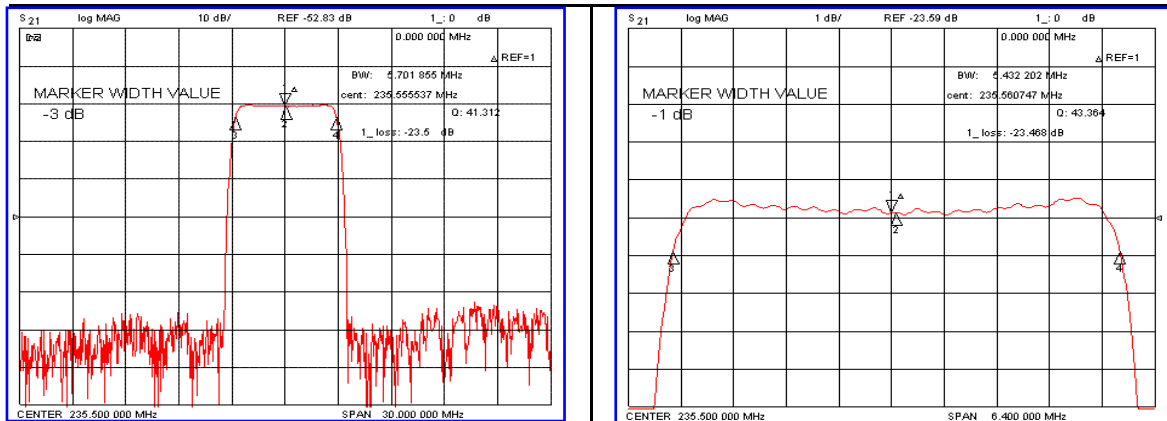


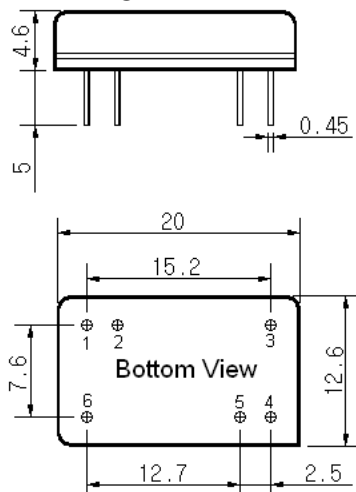
Typical Performance



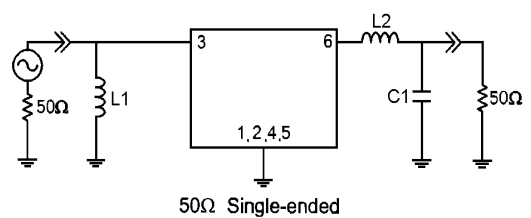
Specification

Parameter	Unit	Min.	Typ.	Max.
Center Frequency (Fc)	MHz	235.35	235.50	235.65
Insertion Loss	dB	-	23.60	25.00
1dB Bandwidth	MHz	5.30	5.43	-
3dB Bandwidth	MHz	-	5.70	-
40dB Bandwidth	MHz	-	6.80	6.90
Passband Ripple	dB	-	0.55	1.00
Group Delay Variation	nsec	-	70	150
Absolute Delay	µsec	-	1.98	-
Ultimate Attenuation	dB	48	52	-
Substrate Material	-	Quartz		

Package Dimension



Matching Configuration



L1=12nH, L2=15nH, C1=51pF
 Source / Load Impedance = 50Ω
 Ambient Temperature = 25°C

Rev0. 070915

