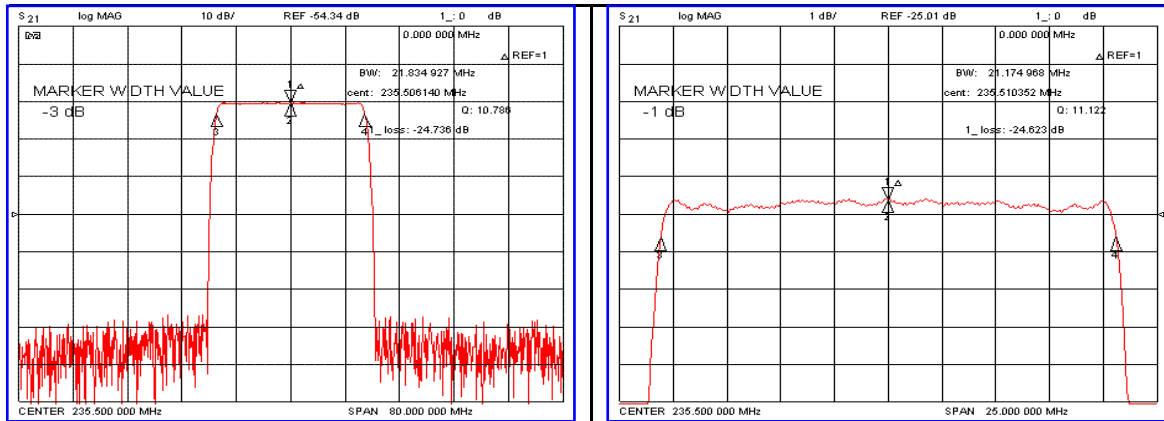


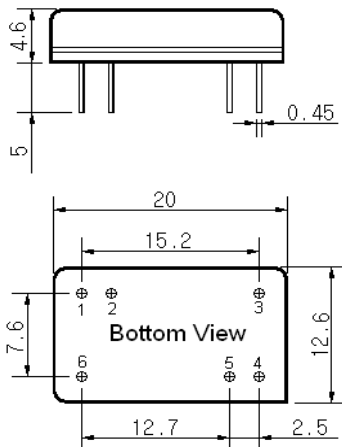
Typical Performance



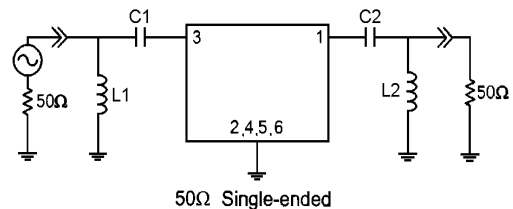
Specification

Parameter	Unit	Min.	Typ.	Max.
Center Frequency (Fc)	MHz	-	235.50	-
Insertion Loss	dB	-	24.88	27.00
1dB Bandwidth	MHz	-	21.17	-
3dB Bandwidth	MHz	21.60	21.83	-
40dB Bandwidth	MHz	-	24.23	24.50
Passband Ripple (Fc±9.22MHz)	dB	-	0.55	1.00
Group Delay Variation (Fc±9.22MHz)	nsec	-	30	80
Absolute Delay	µsec	-	2.10	-
Ultimate Attenuation	dB	48	53	-
Substrate Material	-	LiTaO ₃		
Temperature Coefficient	ppm/°C	-20		

Package Dimension



Matching Configuration



L1=L2=12nH, C1=120pF, C2=82pF
 Source / Load Impedance = 50Ω
 Ambient Temperature = 25°C

09/07/2006

