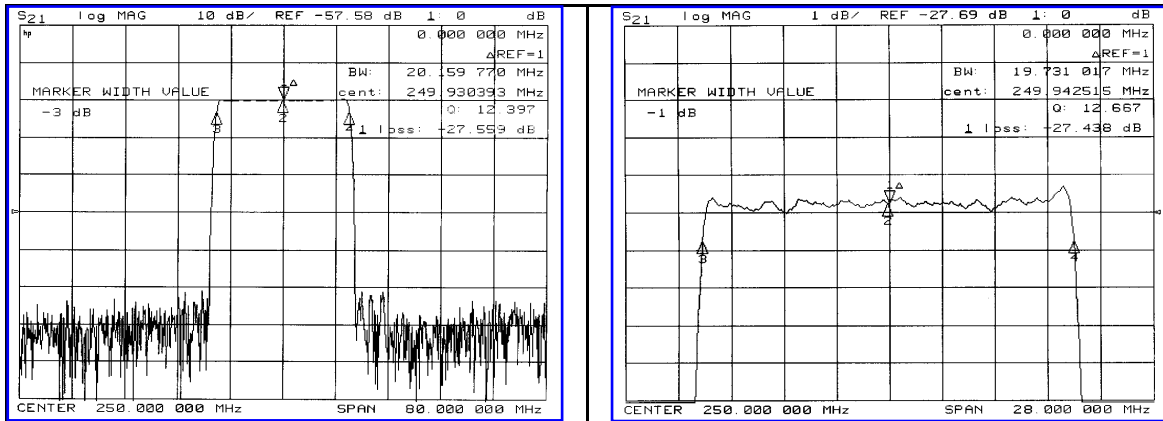


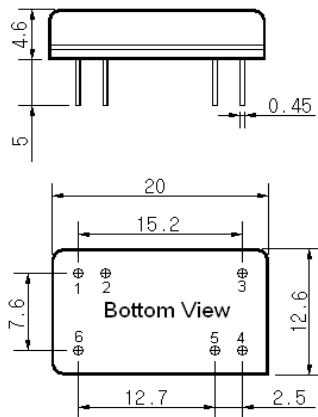
### Typical Performance



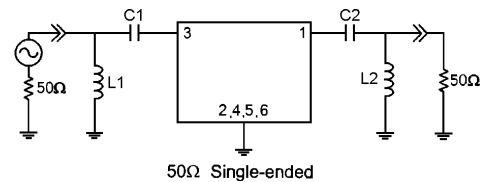
### Specification

Parameter	Unit	Min.	Typ.	Max.
Center Frequency (Fc)	MHz	-	250.00	-
Insertion Loss	dB	-	27.50	28.50
1dB Bandwidth	MHz	-	19.73	-
3dB Bandwidth	MHz	20.00	20.15	-
40dB Bandwidth	MHz	-	22.03	22.15
Passband Ripple (Fc±9.22MHz)	dB	-	0.65	1.00
Group Delay Variation (Fc±9.22MHz)	nsec	-	30	80
Absolute Delay	µsec	-	2.25	-
Ultimate Attenuation	dB	48	53	-
Substrate Material	-	LiTaO <sub>3</sub>		
Temperature Coefficient	ppm/°C	-20		

### Package Dimension



### Matching Configuration



L1=10nH, L2=12nH, C1=56pF, C2=56pF  
 Source / Load Impedance = 50Ω  
 Ambient Temperature = 25°C

03/06/2006

