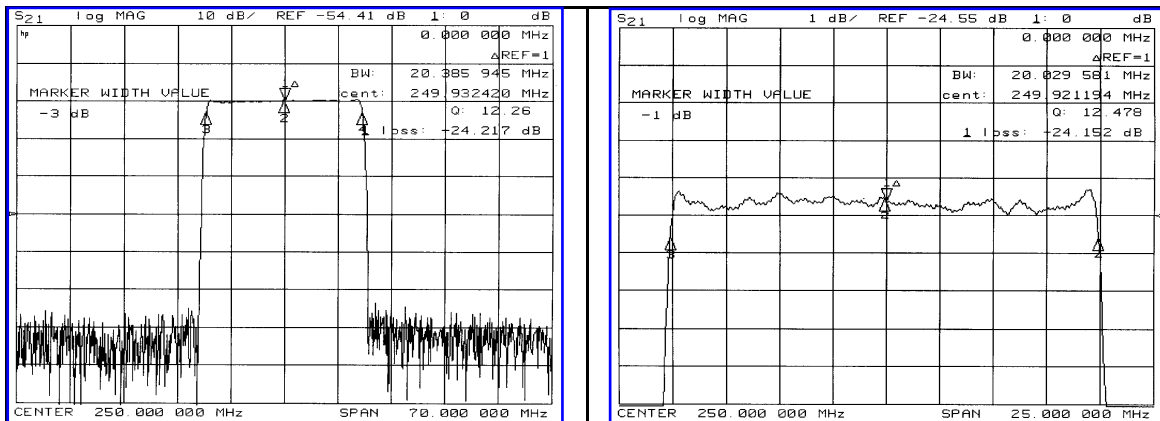


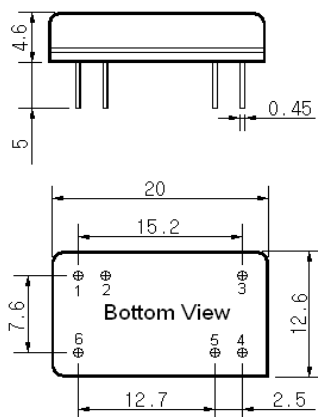
Typical Performance



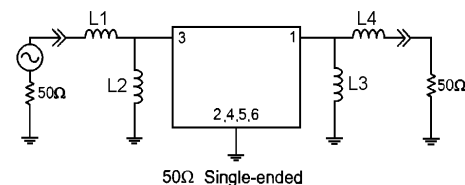
Specification

Parameter	Unit	Min.	Typ.	Max.
Center Frequency (Fc)	MHz	-	250.00	-
Insertion Loss	dB	-	24.50	26.00
1dB Bandwidth	MHz	-	20.02	-
3dB Bandwidth	MHz	20.00	20.38	-
40dB Bandwidth	MHz	-	21.94	22.00
Passband Ripple (Fc±9.22MHz)	dB	-	0.70	1.00
Group Delay Variation (Fc±9.22MHz)	nsec	-	50	100
Absolute Delay	µsec	-	2.30	-
Ultimate Attenuation	dB	50	55	-
Substrate Material	-	LiTaO ₃		
Temperature Coefficient	ppm/°C	-20		

Package Dimension



Matching Configuration



L1=1.5nH, L2=8.2nH, L3=10nH, L4=4.7nH
 Source / Load Impedance = 50Ω
 Ambient Temperature = 25°C

03/21/2006

