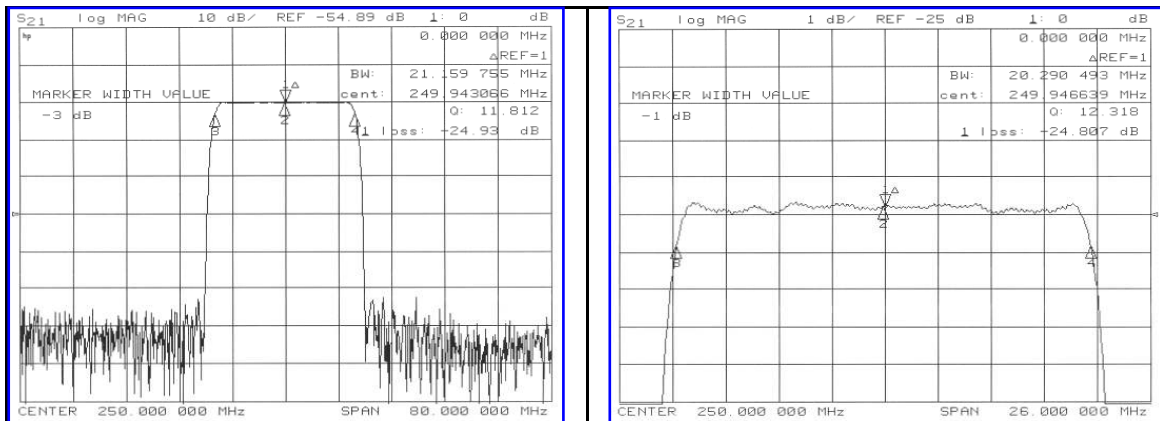


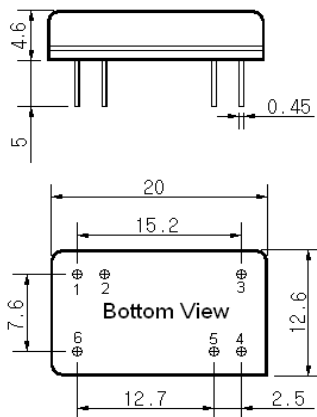
### Typical Performance



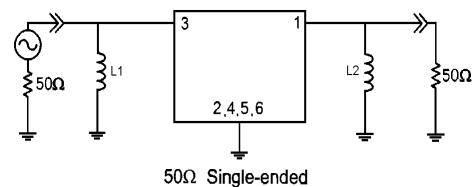
### Specification

Parameter	Unit	Min.	Typ.	Max.
Center Frequency	MHz	-	250.00	-
Insertion Loss	dB	-	25.00	26.50
1dB Bandwidth	MHz	-	20.29	-
3dB Bandwidth	MHz	21.00	21.16	-
40dB Bandwidth	MHz	-	23.80	24.50
Passband Ripple ( $F_c \pm 9.75\text{MHz}$ )	dB	-	0.55	1.00
Group Delay Variation ( $F_c \pm 9.75\text{MHz}$ )	nsec	-	50	100
Absolute Delay	$\mu\text{sec}$	-	2.00	-
Ultimate Attenuation	dB	50	53	-
Substrate Material	-	LiTaO <sub>3</sub>		
Temperature Coefficient	ppm/ $^{\circ}\text{C}$	-20		

### Package Dimension



### Matching Configuration



L1=12nH, L2=8.2nH,  
 Source / Load Impedance = 50Ω  
 Ambient Temperature = 25°C

07/14/2006

