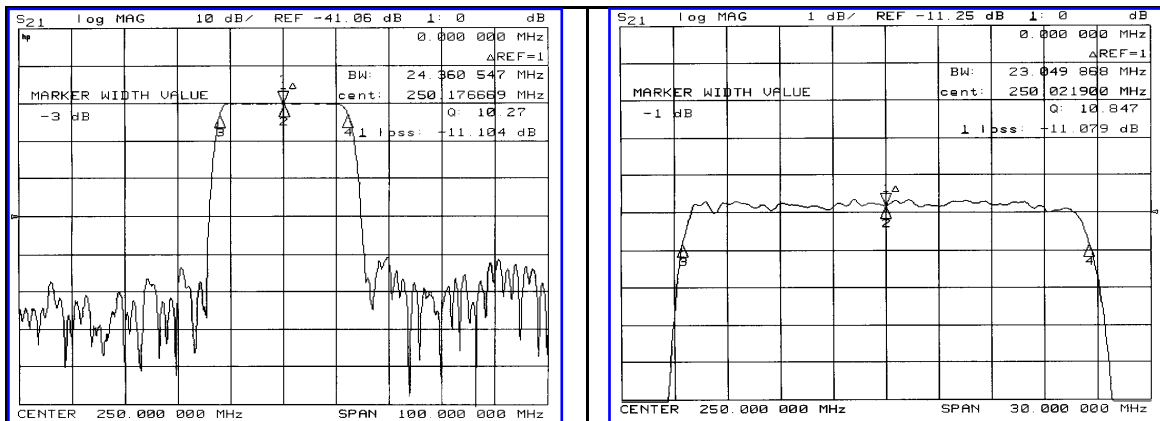


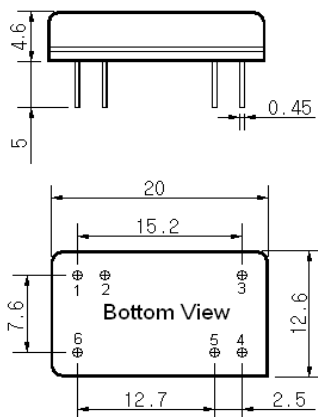
Typical Performance



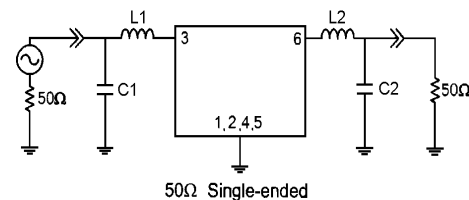
Specification

Parameter	Unit	Min.	Typ.	Max.
Center Frequency (Fc)	MHz	-	250.00	-
Insertion Loss	dB	-	11.00	13.00
1dB Bandwidth	MHz	-	23.04	-
3dB Bandwidth	MHz	23.50	24.36	-
40dB Bandwidth	MHz	-	29.64	30.00
Passband Ripple (Fc±9.22MHz)	dB	-	0.45	1.00
Group Delay Variation (Fc±9.22MHz)	nsec	-	30	80
Absolute Delay	µsec	-	0.62	-
Ultimate Attenuation	dB	40	43	-
Substrate Material	-	YZ-LiNbO ₃		
Temperature Coefficient	ppm/°C	-86		

Package Dimension



Matching Configuration



L1=18nH, L2=22nH, C1=20pF, C2=16pF
 Source / Load Impedance = 50Ω
 Ambient Temperature = 25°C

03/06/2006

