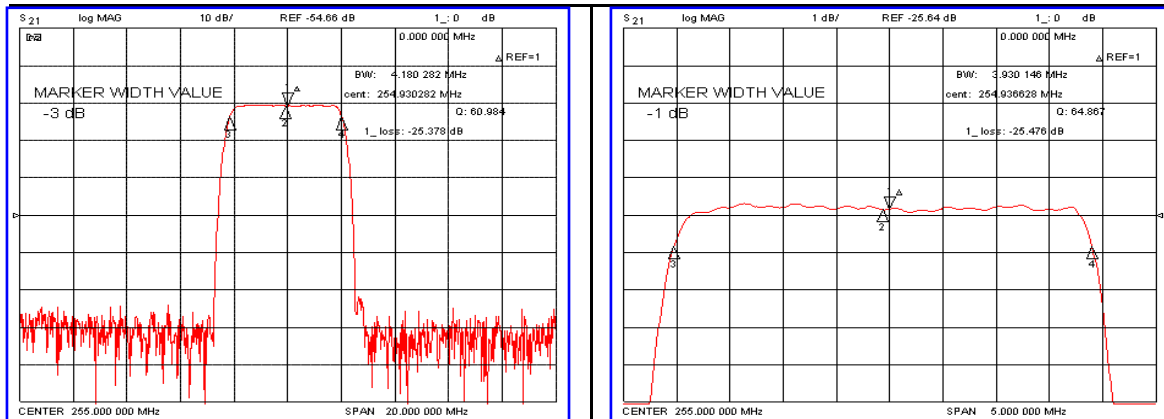


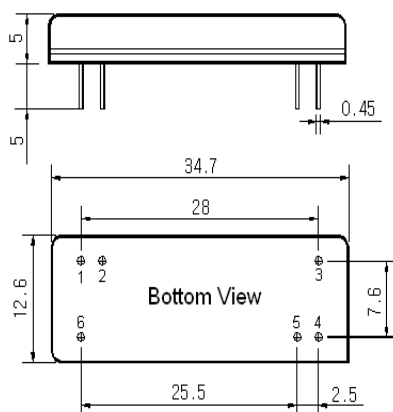
Typical Performance



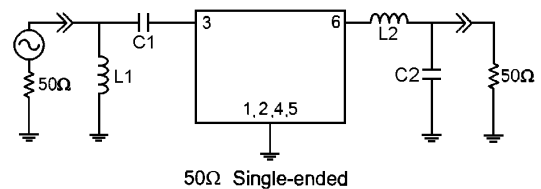
Specification

Parameter	Unit	Min.	Typ.	Max.
Center Frequency (Fc)	MHz	254.80	255.0	255.20
Insertion Loss	dB	-	25.50	27.00
1dB Bandwidth	MHz	-	3.93	-
3dB Bandwidth	MHz	4.00	4.18	-
45dB Bandwidth	MHz	-	5.20	5.30
Passband Ripple	dB	-	0.50	1.00
Group Delay Variation	nsec	-	100	200
Absolute Delay	µsec	-	2.11	-
Ultimate Attenuation	ddB	48	53	-
Substrate Material	-	Quartz		

Package Dimension



Matching Configuration



L1=12nH, L2=2.2nH, C1=22pF, C2=30pF
 Source / Load Impedance = 50Ω
 Ambient Temperature = 25°C

11/08/2006

