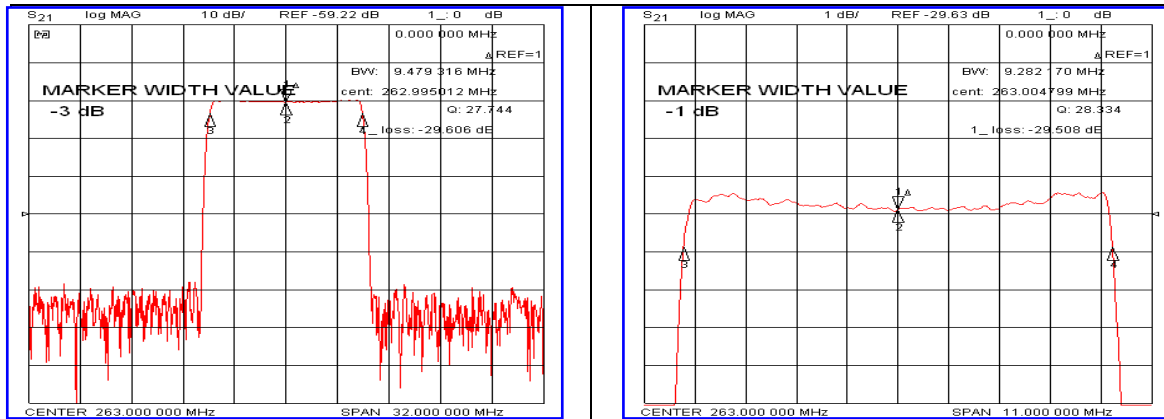


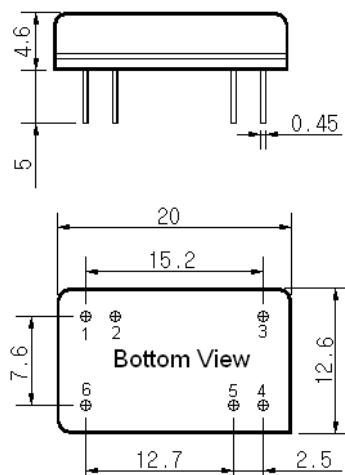
Typical Performance



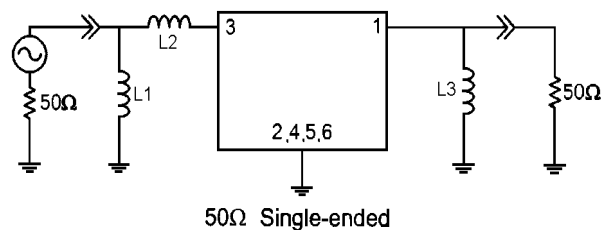
Specification

| Parameter | Unit | Min. | Typ. | Max. |
|--|-------------------------|--------|--------|-------|
| Center Frequency | MHz | - | 263.00 | - |
| Insertion Loss | dB | - | 29.60 | 32.00 |
| 1dB Bandwidth | MHz | 9.10 | 9.28 | - |
| 20dB Bandwidth | MHz | - | 10.10 | 10.20 |
| 40dB Bandwidth | MHz | - | 10.40 | - |
| Passband Ripple($F_c \pm 4.5\text{MHz}$) | dB | - | 0.60 | 1.50 |
| Group Delay Variation($F_c \pm 4.5\text{MHz}$) | nsec | - | 100 | 200 |
| Absolute Delay | μsec | - | 2.21 | - |
| Ultimate Attenuation | dB | 40 | 47 | - |
| Substrate Material | - | Quartz | | |
| Temperature Coefficient | ppm/ $^{\circ}\text{C}$ | -0.032 | | |

Package Dimension



Matching Configuration



L1=6.8nH, L2=1.8nH, L3=10nH
 Source / Load Impedance = 50 Ω
 Ambient Temperature = 25 $^{\circ}\text{C}$

Rev.0 120326

