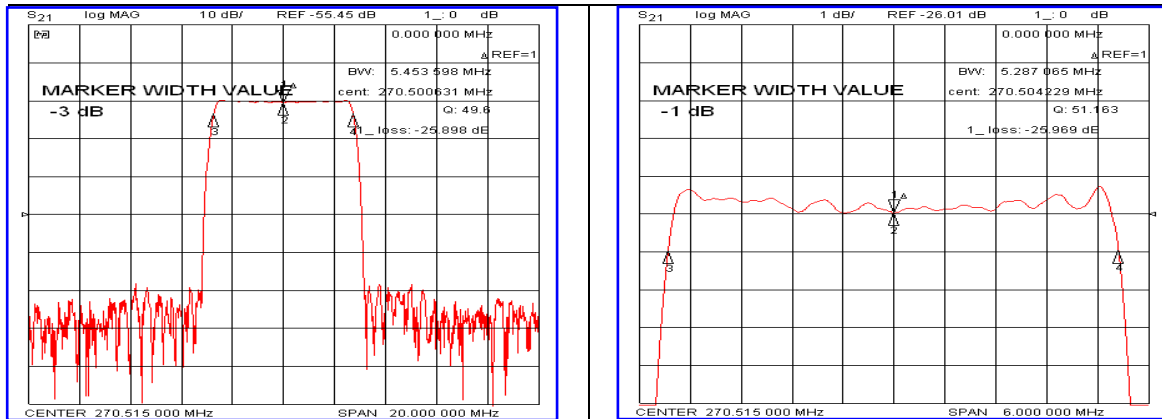


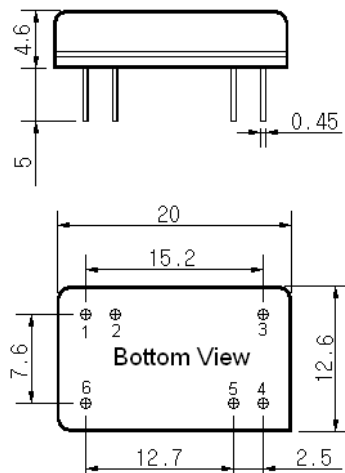
Typical Performance



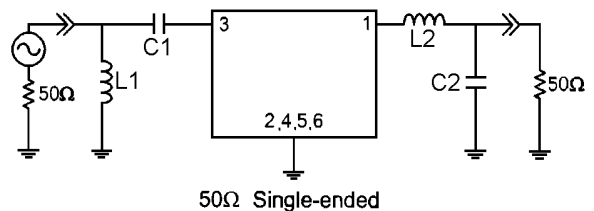
Specification

Parameter	Unit	Min.	Typ.	Max.
Center Frequency	MHz	-	270.515	-
Insertion Loss	dB	-	25.90	28.00
1dB Bandwidth	MHz	5.10	5.28	-
20dB Bandwidth	MHz	-	6.00	6.20
40dB Bandwidth	MHz	-	6.26	-
Passband Ripple($F_c \pm 2.46$ MHz)	dB	-	0.75	1.40
Group Delay Variation($F_c \pm 2.46$ MHz)	nsec	-	100	200
Absolute Delay	μ sec	-	2.20	-
Ultimate Attenuation	dB	40	47	-
Substrate Material	-	Quartz		
Temperature Coefficient	ppm/ $^{\circ}$ C	-0.032		

Package Dimension



Matching Configuration



L1=6.8nH, L2=18nH, C1=180pF, C2=20pF
 Source / Load Impedance = 50 Ω
 Ambient Temperature = 25 $^{\circ}$ C

Rev.0 120326

