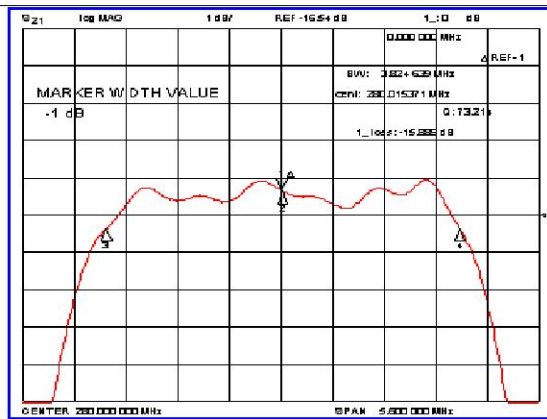
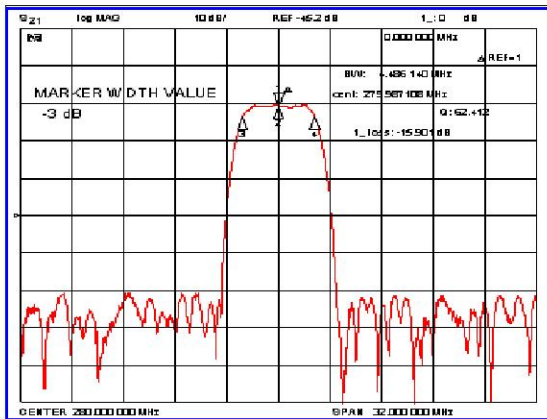


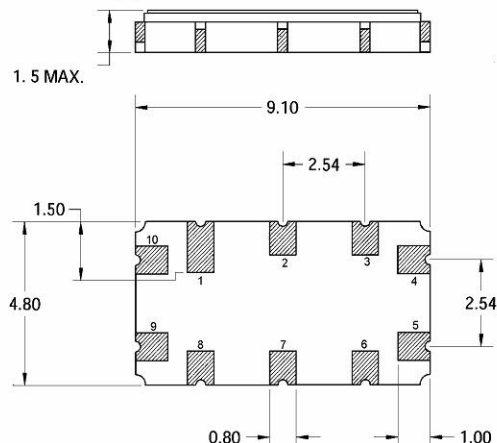
## Typical Performance



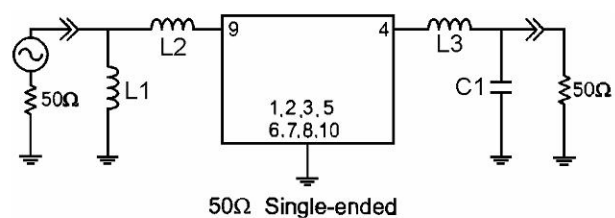
## Specification

Parameter	Unit	Min.	Typ.	Max.
Center Frequency	MHz	-	280.00	-
Insertion Loss	dB	-	15.90	18.00
1dB Bandwidth	MHz	3.75	3.82	-
3dB Bandwidth	MHz	-	4.48	-
30dB Bandwidth	MHz	-	6.54	6.80
Relative Attenuation(Fc±3.5MHz)	dB	-	45	-
Passband Ripple	dB	-	0.76	1.00
Group Delay Variation	nsec	-	100	200
Absolute Delay	μsec	-	0.82	-
Ultimate Attenuation	dB	40	48	-
Substrate Material	-	Quartz		
Temperature Coefficient	ppm/°C	-0.03		

## Package Dimension



## Matching Configuration



**L1=6.8nH, L2=15nH, L3=27nH, C1=51pF**

Source / Load Impedance = 50Ω

Ambient Temperature = 25°C

Rev0. 080509

