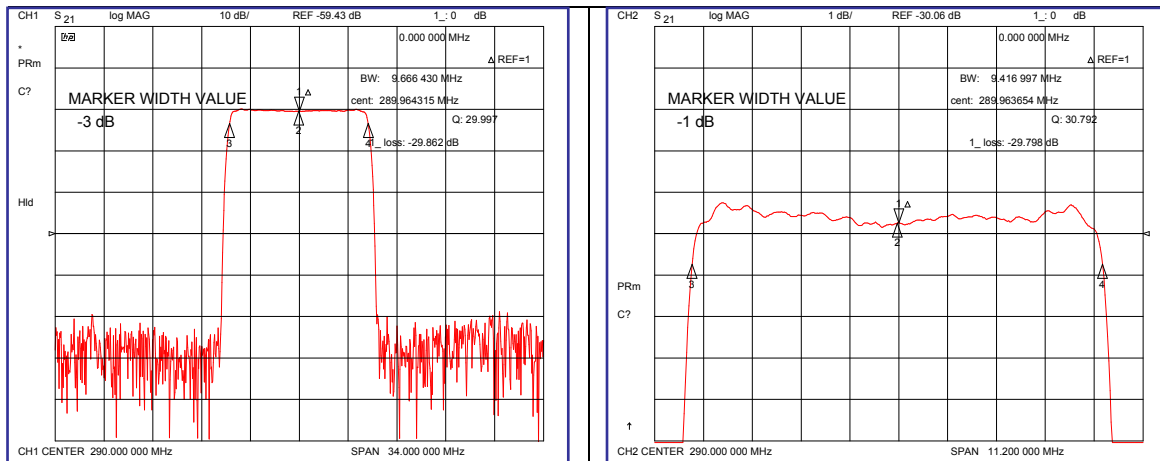


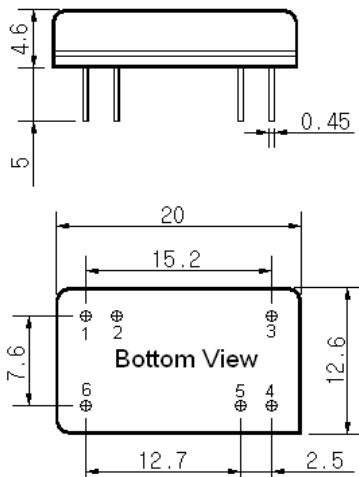
Typical Performance



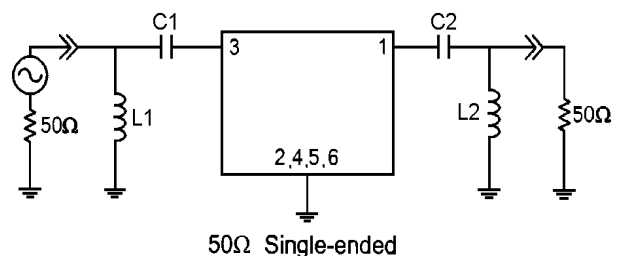
Specification

Parameter	Unit	Min.	Typ.	Max.
Center Frequency	MHz	-	290.00	-
Insertion Loss	dB	-	29.90	31.50
1dB Bandwidth	MHz	9.25	9.41	-
3dB Bandwidth	MHz	-	9.56	-
50dB Bandwidth	MHz	-	10.82	11.00
Passband Ripple	dB	-	0.65	1.00
Group Delay Variation	nsec	-	70	150
Absolute Delay	µsec	-	2.02	-
Ultimate Attenuation	dB	-	50	-
Substrate Material	-	Quartz		
Temperature Coefficient	ppm/°C	-0.03		

Package Dimension



Matching Configuration



L1=8.2nH, L2=6.8nH, C1=56pF, C2=68pF
 Source / Load Impedance = 50Ω
 Ambient Temperature = 25°C

Rev0. 110825

