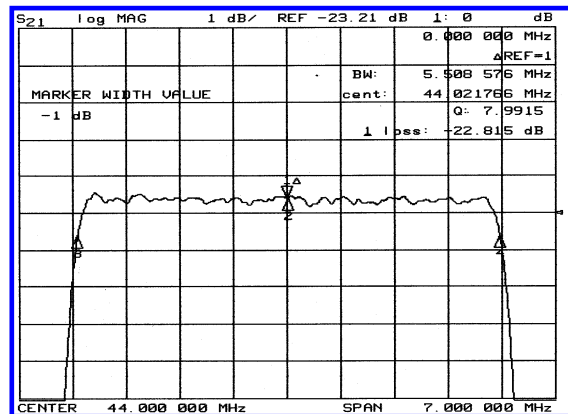
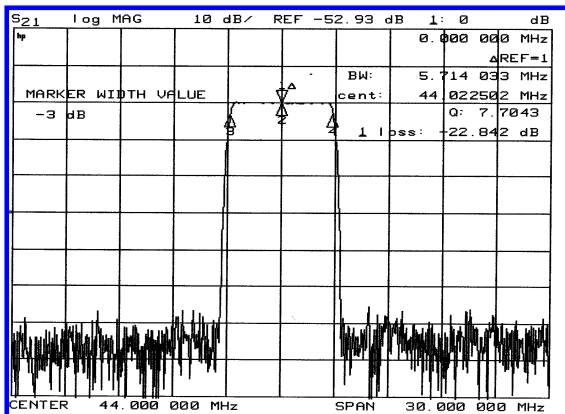


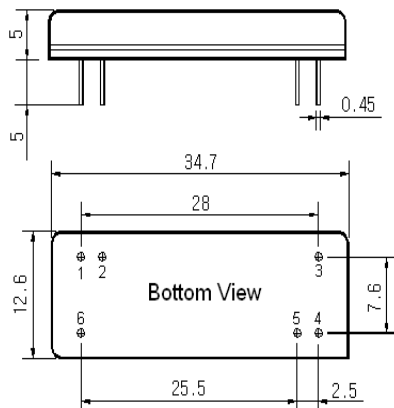
Typical Performance



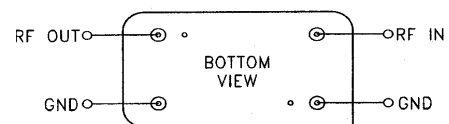
Specification

Parameter	Unit	Min.	Typ.	Max.
Center Frequency	Mhz	43.94	44.00	44.06
Insertion Loss	dB	-	23.0	24.5
1dB Bandwidth	Mhz	5.40	5.51	-
3dB Bandwidth	-	5.60	5.71	-
50dB Bandwidth	Mhz	-	6.65	6.80
Passband Ripple	dB	-	0.45	0.80
Group Delay Variation	nsec	-	100	150
Absolute Delay	µsec	-	3.3	-
Ultimate Attenuation	dB	50	60	-
Substrate Material	-	128-LiNbO ₃		
Temperature Coefficient	ppm/°C	-72		

Package Dimension



Matching Configuration



No Matching Required
 Source / Load Impedance = 50Ω
 Ambient Temperature = 25°C

04/29/2003