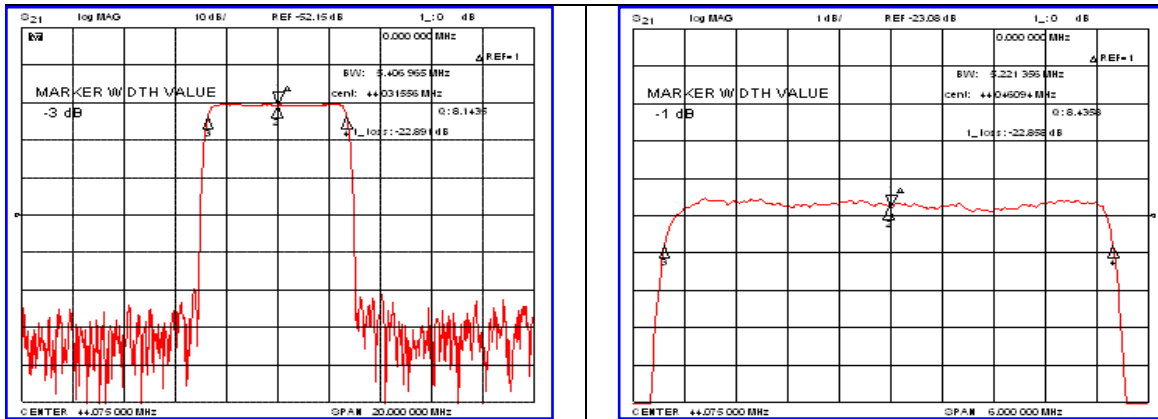


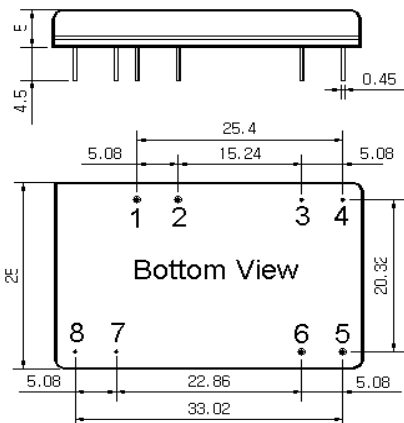
### Typical Performance



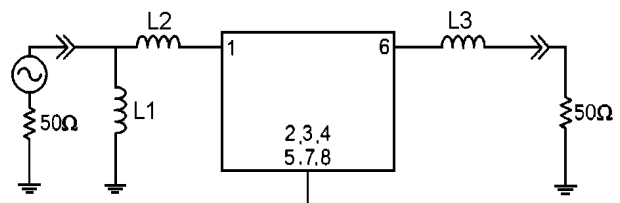
### Specification

Parameter	Unit	Min.	Typ.	Max.
Center Frequency	MHz	44.02	44.075	44.13
Insertion Loss	dB	-	22.90	25.00
1dB Bandwidth	MHz	-	5.22	-
3dB Bandwidth	MHz	5.30	5.40	-
40dB Bandwidth	MHz	-	6.07	6.30
Passband Ripple	dB	-	0.45	1.00
Group Delay Variation	nsec	-	100	150
Absolute Delay	usec	-	4.5	-
Delay Difference ( 45.75 – 3.58 Mhz )	nsec	-	150	-
Ultimate Attenuation	dB	48	50	-
Substrate Material	-	YZ-LiNbO <sub>3</sub>		
Temperature Coefficient	ppm/°C	-94		

### Package Dimension



### Matching Configuration



50Ω Single-ended  
 L1=470nH, L2=33nH, L3=33nH  
 Source / Load Impedance = 50Ω  
 Ambient Temperature = 25°C

Rev.0 080925

