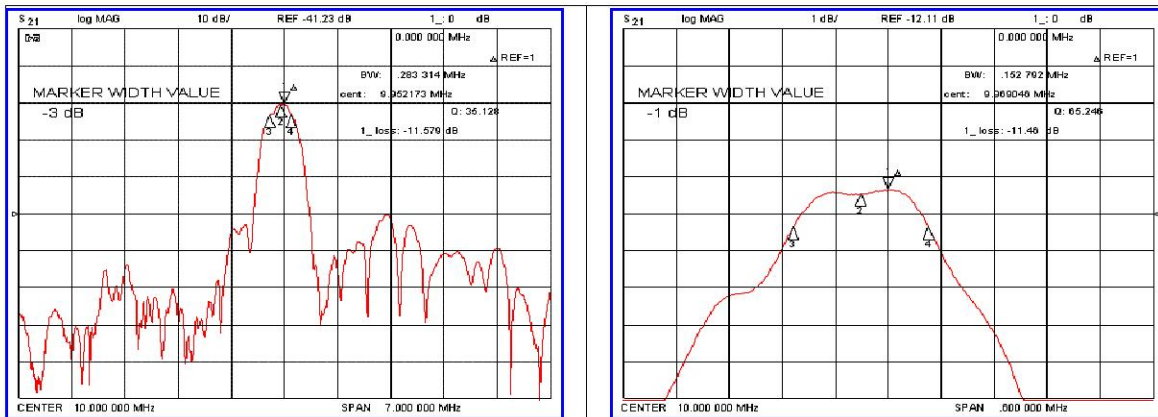


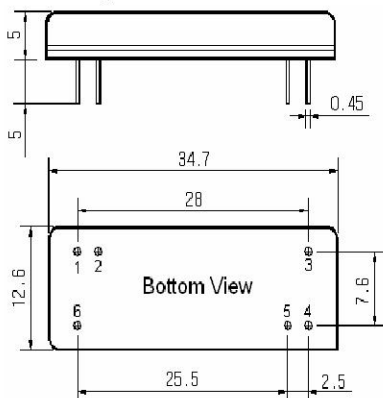
### Typical Performance



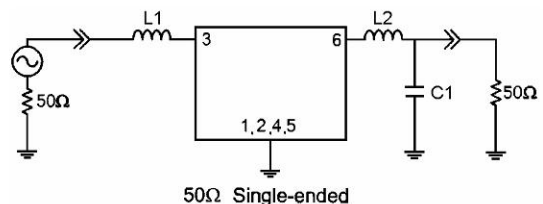
### Specification

Parameter	Unit	Min.	Typ.	Max.
Center Frequency	MHz	9.92	10.00	10.08
Insertion Loss	dB	-	12.00	14.00
1dB Bandwidth	MHz	-	0.15	-
3dB Bandwidth	MHz	0.20	0.28	-
20dB Bandwidth	MHz	-	0.65	0.90
Passband Ripple( $F_c \pm 0.05\text{MHz}$ )	dB	-	0.50	1.00
Absolute Delay	$\mu\text{sec}$	-	4.42	-
Relative Attenuation				
0.30 ~ 9.00MHz	dB	30	40	-
10.7 ~ 25.0MHz	dB	20	28	-
25.0 ~ 100MHz	dB	40	50	-
Substrate Material	-	112-LiTaO <sub>3</sub>		
Temperature Coefficient	ppm/°C	-18		

### Package Dimension



### Matching Configuration



L1=2.2uH, L2=3.3uH, C1=36pF  
 Source / Load Impedance = 50Ω  
 Ambient Temperature = 25°C

Rev0. 070124

