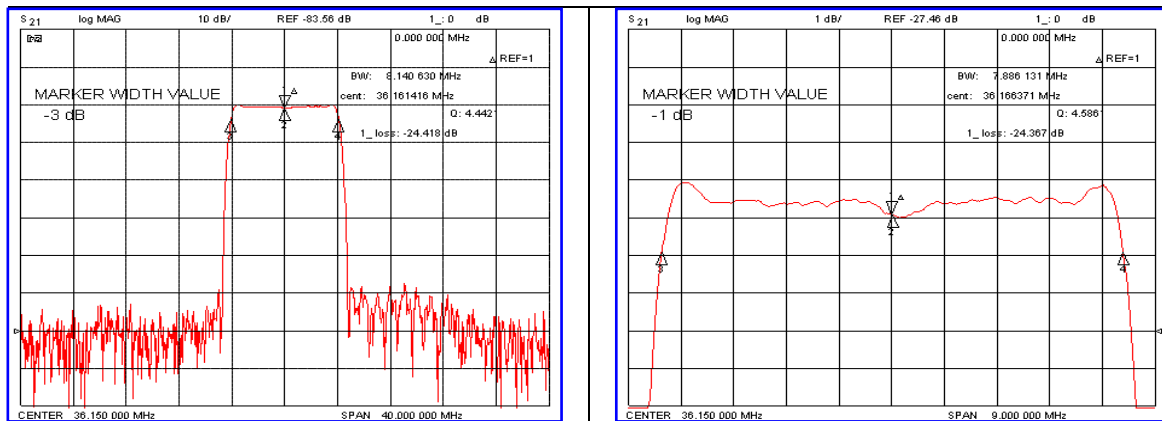


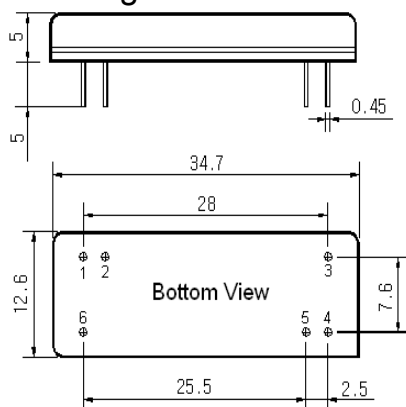
### Typical Performance



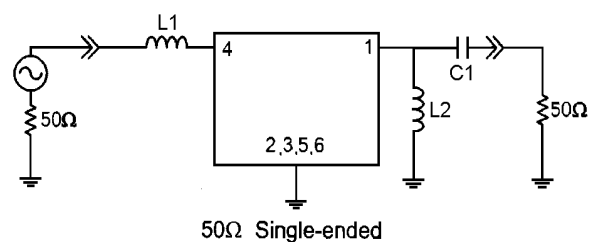
### Specification

Parameter	Unit	Min.	Typ.	Max.
Center Frequency	MHz	36.10	36.15	36.20
Insertion Loss	dB	-	24.50	26.00
1dB Bandwidth	MHz	-	7.88	-
3dB Bandwidth	MHz	8.00	8.14	8.20
40dB Bandwidth	MHz	-	9.40	9.60
Passband Ripple( $F_c \pm 3.42$ MHz)	dB	-	0.85	1.00
Group Delay Variation( $F_c \pm 3.8$ MHz)	nsec	-	60	80
Absolute Delay	µsec	-	2.49	3.00
Out of band Attenuation				
1.0 ~ 30.8 MHz	dB	40	50	-
41.2 ~ 80.0 MHz	dB	40	47	-
Substrate Material	-	128-LiNbO <sub>3</sub>		
Temperature Coefficient	ppm/°C	-72		

### Package Dimension



### Matching Configuration



L1=390nH, L2=390nH, C1=150pF  
 Source / Load Impedance = 50Ω  
 Ambient Temperature = 25°C

Rev0. 080707

