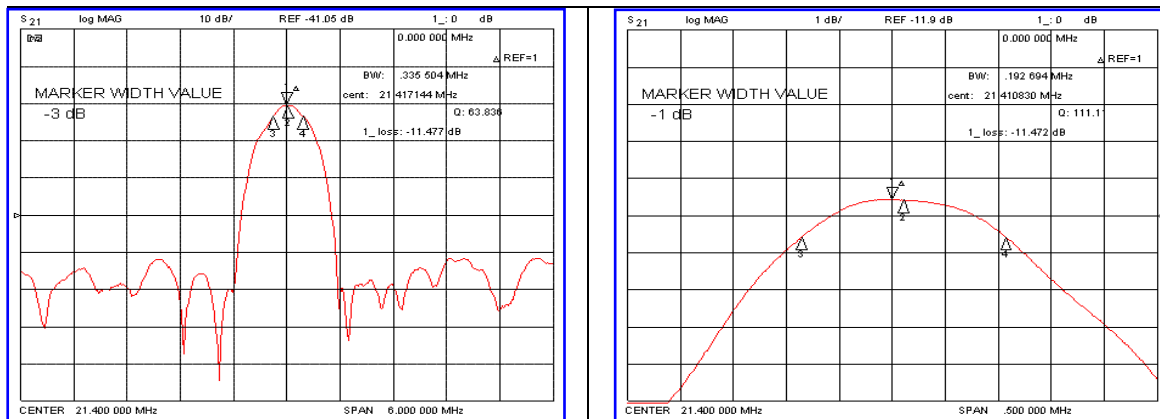


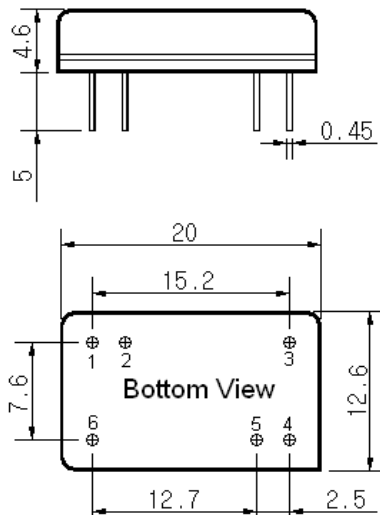
### Typical Performance



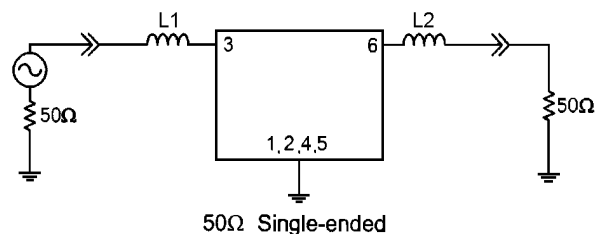
### Specification

Parameter	Unit	Min.	Typ.	Max.
Center Frequency	MHz	21.32	21.40	21.48
Insertion Loss	dB	-	12.00	14.00
1dB Bandwidth	MHz	-	0.19	-
3dB Bandwidth	MHz	0.20	0.33	-
30dB Bandwidth	MHz	-	1.05	1.50
Passband Ripple( $F_c \pm 0.05\text{MHz}$ )	dB	-	0.50	1.00
Absolute Delay	$\mu\text{sec}$	-	2.52	-
Ultimate Attenuation	dB	30	35	-
Substrate Material	-	112-LiTaO <sub>3</sub>		
Temperature Coefficient	ppm/ $^{\circ}\text{C}$	-18		

### Package Dimension



### Matching Configuration



L1=680nH, L2=680nH  
 Source / Load Impedance = 50 $\Omega$   
 Ambient Temperature = 25 $^{\circ}\text{C}$

Rev.0. 070216

