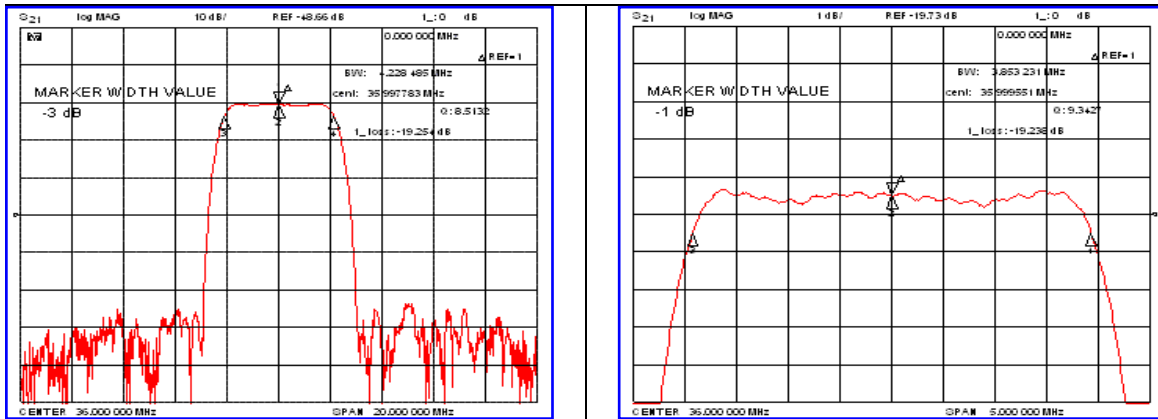


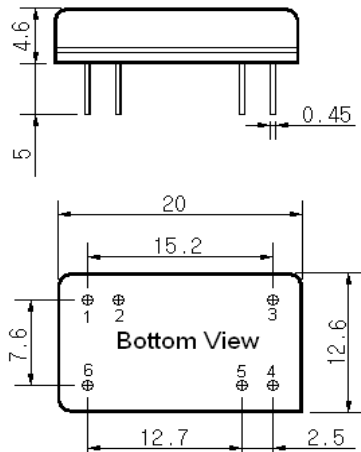
### Typical Performance



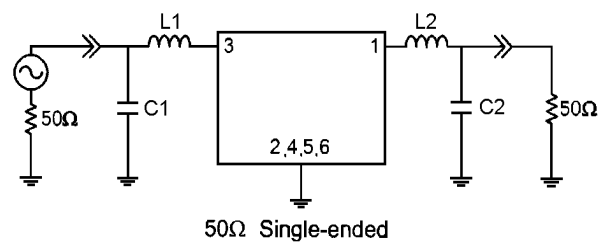
### Specification

Parameter	Unit	Min.	Typ.	Max.
Center Frequency	MHz	35.94	36.00	36.06
Insertion Loss	dB	-	19.50	22.00
1dB Bandwidth	MHz	-	3.85	-
3dB Bandwidth	MHz	4.00	4.22	-
40dB Bandwidth	MHz	-	5.75	-
50dB Bandwidth	MHz	-	5.88	6.00
Passband Ripple	dB	-	0.50	1.00
Group Delay Variation	nsec	-	90	150
Absolute Delay	μsec	-	2.27	-
Ultimate Attenuation	dB	50	55	-
Substrate Material	-	128- LiNbO <sub>3</sub>		
Temperature Coefficient	ppm/°C	-72		

### Package Dimension



### Matching Configuration



L1=270nH, L2=270nH, C1=43pF, C2=51pF  
 Source / Load Impedance = 50Ω  
 Ambient Temperature = 25°C

Rev0. 081010

